

	<h1>Design Change Notice</h1>	Document: dcn190314_ phase out SE-I 40
Prepared by: 2019-03-14 Bolliger, Iris	Approved by: 2019-03-14 Würzler, Hanspeter	Revision: 1    Page: 1/1

## Phase out of SE-I 40

We will start to phase out the stainless steel tensioner SE-I 40. The tensioner will be available until our stock is consumed.

Information: The SE-I 40 was offered for many years. The production is driven by manual processes, welding works and is therefore time- and cost-consuming. We decided to replace the SE-I 40 with the SE-I 38 consisting of casted parts like the smaller SE-I types.

### Affected article:

Part number: 06 071 104	Description: ROSTA TENSIONER SE-I 40	On stock at 14.03.19: 46 pieces
----------------------------	---	------------------------------------

### Alternative article:

Part number: 06 071 114	Description: ROSTA TENSIONER SE-I 38	On stock at 14.03.19: 24 pieces
----------------------------	---	------------------------------------

### Proceeding:

- We will take in orders for SE-I 40 until our stock is fully consumed
- In case the short-term demand is higher than our stock, we will reserve to reduce orders to let all users participate on the remaining stock.
- Please find additional information about the SE-I 38 in the document:  
**dcn190319\_New product SE-I 38 as replacement of SE-I 40**

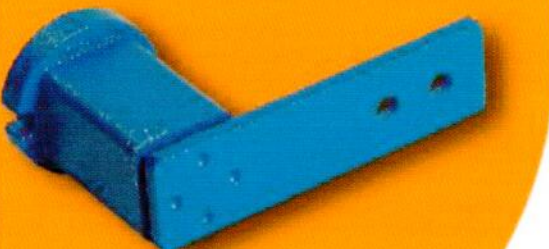
## New product: Tensioner stainless steel SE-I 38, Part.no. 06071114

As informed with "dcn190314 phase out SE-I 40" we are proud to present the new product SE-I 38.



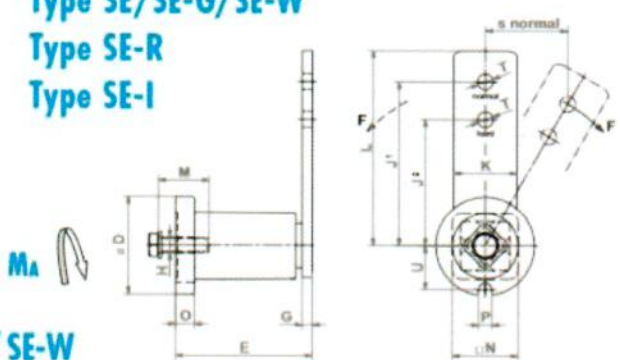
### Characteristics

- Tensioning force is identical to the ones of SE 38 and SE-I 40 (1'500N @ 30° deflection).
- ROSTA uses boxes of 6 pieces to pack the SE-I 38 (analog SE 38).
- The labelling contains element type and production order number for traceability.
- Form, fit and function is equal to the standard SE 38 and has only small deviations to the phased out SE-I 40, see below:



### Tensioner Devices

Type SE/SE-G/SE-W  
Type SE-R  
Type SE-I



**Standard Tensioner Devices Types SE / SE-G / SE-W**

Type	Art. No.	D	E	G	H	J <sup>1</sup>	J <sup>2</sup>	K	L	M	N	O	P	T	U	Weight [kg]
<b>SE 38</b>	<b>06 011 005</b>															
SE 38-G	06 013 205	95	140 <sup>+2</sup> <sub>-0.5</sub>	10	M16	175	140	60	205	40	66	15	12.5	20.5	42.0	3.6
SE 38-W	06 015 005															

**SE-I** Tensioning element made out of stainless steel, INOX

Type	Art. No.	D	E	G	H	J <sup>1</sup>	J <sup>2</sup>	K	L	M	N	O	P	T	U	Weight [kg]
<b>SE-I 38</b>	<b>06 071 114</b>	<b>95</b>	140 <sup>+2</sup> <sub>-0.5</sub>	10	M16	175	140	<b>60</b>	205	40	<b>66</b>	15	<b>12.5</b>	20.5	<b>42</b>	<b>4.3</b>

Green marked is the new tensioner, red markings indicate small differences to SE-I 40.

### Availability

- The new product is available from now
- All customers are kindly requested to order SE-I 38 tensioners in multiples of 6 pieces
- Prices according to the price list



# Selection table

	Identification	Characteristics	Working temperature	Details	Illustration	
Standard tensioner devices	<b>SE</b> Standard component	Steel parts ROSTA blue painted. Rubber quality Rubmix 10.	Housing and inner core made out of steel.	-40° to +80° C	Page 4.6	
	<b>SE-G</b> Oil resistant	Steel parts galvanized. Rubber quality Rubmix 20. Marked with yellow dot.		-30° to +90° C	Page 4.6	
	<b>SE-W</b> Heat resistant	Steel parts ROSTA blue painted. Rubber quality Rubmix 40. Marked with red dot. Tension force 40% less than SE.		-35° to +120° C max.	Page 4.6	
Additional tensioner devices	<b>SE-R</b> Reinforced lever arm	Arm and inner core especially welded for use on combustion engines and compressors. Steel parts ROSTA blue painted. Marked with white ring.	Housing and inner core made out of steel, inserts Rubmix 10.	-40° to +80° C	Page 4.6	
	<b>SE-I</b> Stainless steel	For the use in food- and pharmaceutical industries. Material: GX5CrNi19-10.			Page 4.6	
	<b>SE-B</b> Boomerang®	For the tensioning of very long chain and belt drives (triple compensation). Steel parts ROSTA blue painted.			Page 4.7	
	<b>SE-F</b> Front mounting device	For installations on blind-hole frames (fixation from the front only). Steel parts ROSTA blue painted. Hex socket screw quality 12.9.			Page 4.7	
	<b>SE-FE</b> Front mounting device	For installations on blind-hole frames (fixation from the front only). Steel parts black painted. Hex socket screw quality 12.9. Especially designed for engine applications.			see page 4.7	Page 4.7
Accessories chain drives	<b>Sprocket wheel set N</b>	Allows accurate positioning of relevant chain track. Ball-bearings 2Z/C3, permanently lubricated.	-40° to +100° C	Page 4.8		
	<b>Sprocket wheel N</b>					
	<b>Chain rider set P</b>	For double sided use. Max. allowed chain speed 1.5 m/sec. Material: POM-H.	-40° to +100° C	Page 4.9		
	<b>Chain rider P</b>					
Accessories belt drives	<b>Tensioning roller R</b>	Material: PA 6. Ball-bearings 2Z/C3, permanently lubricated.	-35° to +100° C	Page 4.10		
	<b>Tensioning roller light RL</b>	Material: PA 6. Ball-bearings 2Z/C3, permanently lubricated.	-35° to +80° C	Page 4.10		

Further information to customized elements and installation examples as from page 4.12.





# General technology

The ROSTA tensioners should be installed on a stiff, even and clean machine part by means of the central bolt. The frictional connection on flange is usually fully sufficient for final positioning. The positioning notch on flange can be used to assure the tensioner additionally on uneven and dirty surfaces by setting a roller-pin.

## Tensioning force F

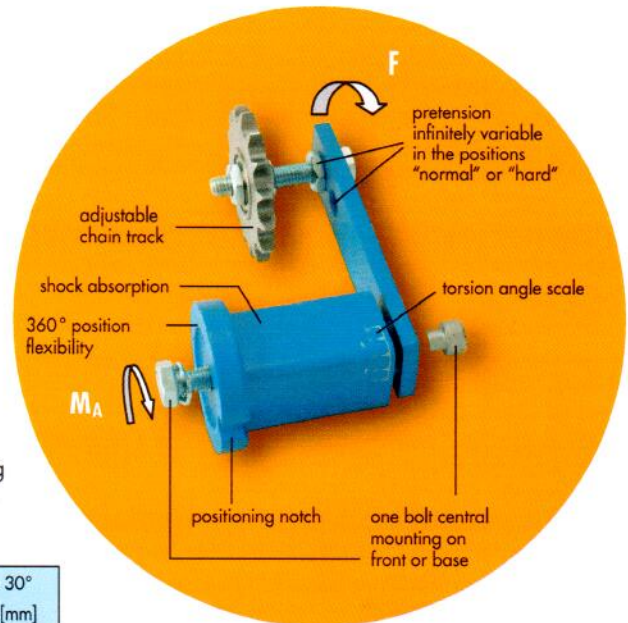
The tensioning force can be continuously adjusted. The max. pre-tensioning angle is +30° out of neutral position. Tensioning force table for types **SE / SE-G / SE-R / SE-F / SE-I** by using **hole-position "normal"** for sprocket-, rider- and roller fixation.

Size SE	Pre-tension < 10°		Pre-tension < 20°		Pre-tension < 30°	
	F [N]	s [mm]	F [N]	s [mm]	F [N]	s [mm]
11	18	14	48	27	96	40
15	25	17	65	34	135	50
18	75	17	185	34	350	50
27	150	23	380	44	810	65
38	280	30	720	60	1500	88
45	520	39	1350	77	2650	113
50	740	43	2150	86	4200	125

**SE-W:** 40% lower tensioning force than standard versions (Rubmix 40 inserts).

**SE-FE:** see page 4.7

**When fixing the sprockets, riders and rollers in arm-position "hard", tensioning force will increase on about 25%.**



## Tightening moment M<sub>A</sub> for attachment screw

Table mentioning the tightening moment for the central screw (included in scope of delivery).

	Quality 8.8	Quality 12.9 for SE-F / SE-FE
M6	10 Nm	17 Nm
M8	25 Nm	41 Nm
M10	49 Nm	83 Nm
M12	86 Nm	145 Nm
M16	210 Nm	355 Nm
M20	410 Nm	690 Nm
M24	750 Nm	

## Mounting instructions

For further mounting instructions please consult the pages 4.9–4.11.

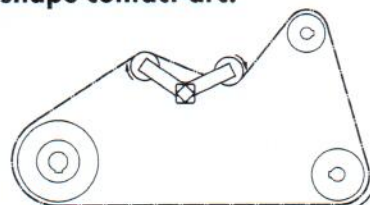
### Z-configuration of sprockets or riders

If there is the need to install sprockets, riders or rollers on the outer arm-side of the tensioner, then the distance "Z" should be as little as possible to avoid a misalignment in element parallelism. Furthermore the pre-tension force should not exceed 50% of the capacity = max. pre-tension angle of ~20°.



### Use of SE-B Boomerang® tensioners

In very long chain and belt drives it was recommendable to install on the slack-side several tensioners, in order to compensate occurring elongation. The "Boomerang" with its bent double-arm equipped with two chain sprockets or a combination of grooved pulley and flat-roller (belt-drives) offers a triple-compensation of chain and belt elongations, due to S-shape contact-arc.

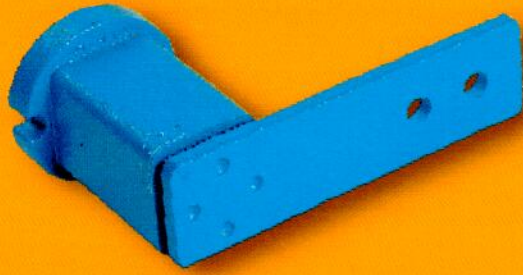


### Tensioner mounting

Tighten the flange screw slightly. Grip the housing with flat-wrench and set needful pre-tension by rotating the housing in the required direction. Tighten the central screw according the above mentioned tightening moment M<sub>A</sub>. **Position flat-wrench close by the flange-bottom.**







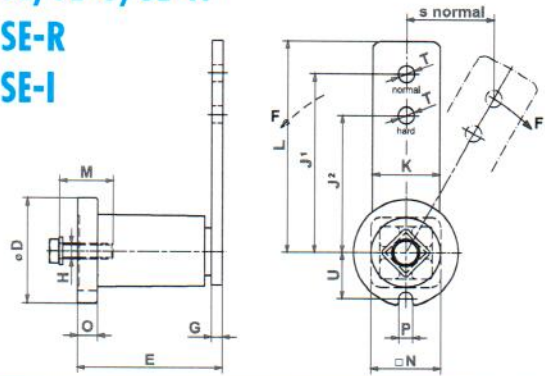
## Tensioner Devices

Type SE/SE-G/SE-W

Type SE-R

Type SE-I

$M_A$



### Standard Tensioner Devices Types SE / SE-G / SE-W

Type	Art. No.	D	E	G	H	J <sup>1</sup>	J <sup>2</sup>	K	L	M	N	O	P	T	U	Weight [kg]
<b>SE 11</b>	<b>06 011 001</b>	35	51 <sup>+1</sup>	5	M6	80	60	20	90	20	22	6	8	8.5	16.5	0.2
SE 11-G	06 013 201		-0.5													
<b>SE 15</b>	<b>06 011 002</b>	45	64 <sup>+1</sup>	5	M8	100	80	25	112.5	25	30	8	8.5	10.5	20.8	0.4
SE 15-G	06 013 202		-0.5													
SE 15-W	06 015 002															
<b>SE 18</b>	<b>06 011 003</b>	58	79 <sup>+1.5</sup>	7	M10	100	80	30	115	30	35	10.5	8.5	10.5	25.3	0.6
SE 18-G	06 013 203		-0.5													
SE 18-W	06 015 003															
<b>SE 27</b>	<b>06 011 004</b>	78	108 <sup>+2</sup>	8	M12	130	100	50	155	40	52	15	10.5	12.5	34.3	1.7
SE 27-G	06 013 204		-0.5													
SE 27-W	06 015 004															
<b>SE 38</b>	<b>06 011 005</b>	95	140 <sup>+2</sup>	10	M16	175	140	60	205	40	66	15	12.5	20.5	42.0	3.6
SE 38-G	06 013 205		-0.5													
SE 38-W	06 015 005															
<b>SE 45</b>	<b>06 011 006</b>	115	200 <sup>+3</sup>	12	M20	225	180	70	260	50	80	18	12.5	20.5	52.0	6.4
SE 45-G	06 013 206		-1													
SE 45-W	06 015 006															
<b>SE 50</b>	<b>06 011 007</b>	130	210 <sup>+3</sup>	20	M24	250	200	80	290	60	87	20	17	20.5	57.5	9.0
SE 50-G	06 013 207		-1													
SE 50-W	06 015 007															

### SE-R Tensioning element with strengthened tensioning arm

Type	Art. No.	D	E	G	H	J <sup>1</sup>	J <sup>2</sup>	K	L	M	N	O	P	T	U	Weight [kg]
<b>SE-R 15</b>	06 011 702	45	64 <sup>+1</sup>	5	M8	100	80	25	112.5	25	30	8	8.5	10.5	20.8	0.4
SE-R 18	06 011 703	58	79 <sup>+1.5</sup>	7	M10	100	80	30	115	30	35	10.5	8.5	10.5	25.3	0.6
			-0.5													

### SE-I Tensioning element made out of stainless steel, INOX

Type	Art. No.	D	E	G	H	J <sup>1</sup>	J <sup>2</sup>	K	L	M	N	O	P	T	U	Weight [kg]
<b>SE-I 15</b>	06 071 111	45	64 <sup>+1</sup>	5	M8	100	80	25	112.5	25	30	8	8.5	10.5	20.8	0.4
SE-I 18	06 071 112	58	79 <sup>+1.5</sup>	7	M10	100	80	30	115	30	35	10.5	8.5	10.5	25.3	0.7
			-0.5													
<b>SE-I 27</b>	06 071 113	78	108 <sup>+2</sup>	8	M12	130	100	50	155	40	52	15	10.5	12.5	34.3	2.1
SE-I 38	06 071 114	95	140 <sup>+2</sup>	10	M16	175	140	60	205	40	66	15	12.5	20.5	42	4.3
			-0.5													

Further product and performance datas on pages 4.4–4.5.



www.rosta.com