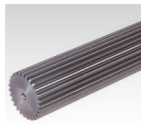
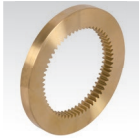


Overview Spur Gear Elements with straight tooth system



Spur gear shafts: Steel,
straight tooth system

Module	Length in mm	Page
1,0/1,5,/2,0	200-250	247



Internal gears: Brass,
straight tooth system
Internal gears: Steel,
straight tooth system

Module	Length in mm	Page
0,5/0,7,/1,0	4/6/8	249
1,0/1,5/2,0	10/15/16	249



Ratchet wheels and braces:
Steel,
straight tooth system

Module	Length in mm	Page
3, 14	4/9	250
4,71	6/9	250

Overview Spur Gears with Helical Teeth



Spur gears: Brass, helical teeth,
right hand

Module	Length in mm	Page
0,3/0,5	5/10	251



Spur gears: Steel, helical teeth,
right hand and left hand

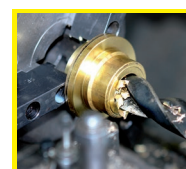
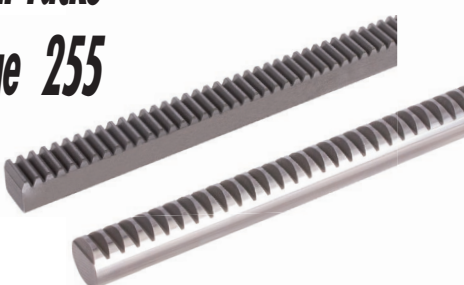
Module	Length in mm	Page
1,0	10	251



Spur gears: Steel, helical teeth,
left hand, hardened
and ground

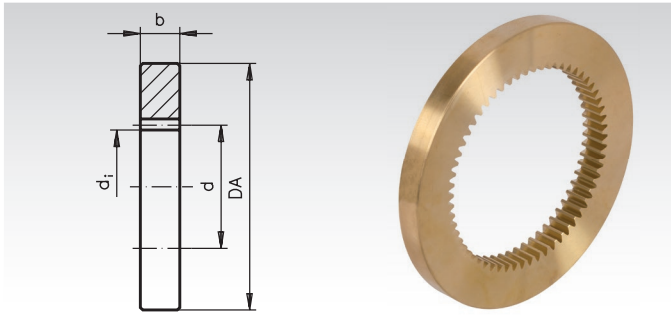
Module	Length in mm	Page
2,0/3,0	28	252
4,0/5,0	40/50	253

Gear racks
Page 255



**Reworking within
24h-service possible.
Custom made parts
on request.**

Straight-Toothed Internal Gears Made from Brass



Tooth quality: 8, Teeth generated.

Pressure angle 20°.

Outside-diameter tolerance in accordance with DIN ISO 2768 middle.

Ordering Details: e.g.: Product No. 261 440 00, Internal Gear, Brass, Module 0.5, 40 Teeth

Module 0.5 / b = 4 mm, Brass Ms58 (2.0401)

Product No.	Number of teeth	b mm	d mm	d _i mm	DA mm	Weight g
261 440 00	40	4	20	19	36	23
261 445 00	45	4	22,5	21,5	40	28
261 448 00	48	4	24	23	40	27
261 450 00	50	4	25	24	45	37
261 460 00	60	4	30	29	50	42
261 470 00	70	4	35	34	55	45
261 490 00	90	4	45	44	70	74
261 410 00	100	4	50	49	70	63

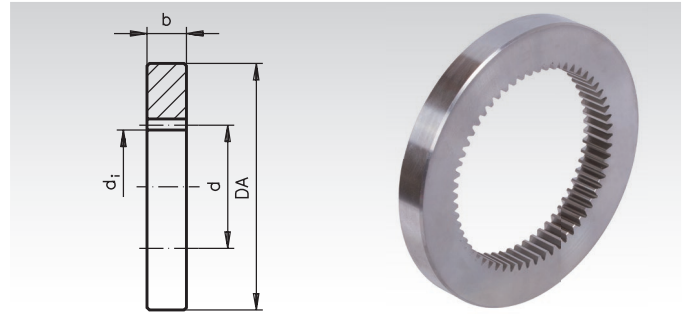
Module 0.7 / b = 6 mm, Brass Ms58 (2.0401)

Product No.	Number of teeth	b mm	d mm	d _i mm	DA mm	Weight g
262 440 00	40	6	28	26,6	48	59
262 445 00	45	6	31,5	30,1	50	58
262 448 00	48	6	33,6	32,2	55	75
262 450 00	50	6	35	33,6	55	74
262 460 00	60	6	42	40,6	65	96
262 470 00	70	6	49	47,6	70	97
262 480 00	80	6	56	54,6	80	126
262 490 00	90	6	63	61,6	85	128
262 410 00	100	6	70	68,6	95	171

Module 1.0 / b = 8 mm, Brass Ms58 (2.0401)

Product No.	Number of teeth	b mm	d mm	d _i mm	DA mm	Weight g
263 430 00	30	8	30	28	55	108
263 436 00	36	8	36	34	60	116
263 440 00	40	8	40	38	65	137
263 445 00	45	8	45	43	70	151
263 448 00	48	8	48	46	75	172
263 450 00	50	8	50	48	75	159
263 455 00	55	8	55	53	80	174
263 460 00	60	8	60	58	85	182
263 465 00	65	8	65	63	90	204
263 470 00	70	8	70	68	95	218
263 480 00	80	8	80	78	105	246
263 490 00	90	8	90	88	115	265
263 410 00	100	8	100	98	125	293
263 412 00	120	8	120	118	145	332

Straight-Toothed Internal Gears Made from Steel



Tooth quality: 8, Teeth generated.

Pressure angle 20°.

Outside-diameter tolerance in accordance with DIN ISO 2768 middle.

Ordering Details: e.g.: Product No. 224 425 00, Internal Gear, Steel, Module 1, Width 10, 25 Teeth

Module 1.0 / b = 10 mm, Steel C45

Product No.	Number of teeth	b mm	d mm	d _i mm	DA mm	Weight g
224 425 00	25	10	25	23	50	113
224 430 00	30	10	30	28	55	128
224 436 00	36	10	36	34	60	141
224 440 00	40	10	40	38	65	156
224 445 00	45	10	45	43	70	180
224 448 00	48	10	48	46	75	198
224 450 00	50	10	50	48	75	185
224 460 00	60	10	60	58	85	213
224 470 00	70	10	70	68	95	249
224 472 00	72	10	72	70	100	294
224 480 00	80	10	80	78	105	275
224 490 00	90	10	90	88	115	306
224 410 00	100	10	100	98	125	342
224 412 00	120	10	120	118	150	488

Module 1.5 / b = 15 mm, Steel C45

Product No.	Number of teeth	b mm	d mm	d _i mm	DA mm	Weight g
228 425 00	25	15	37,5	34,5	70	320
228 430 00	30	15	45	42	75	328
228 436 00	36	15	54	51	85	392
228 440 00	40	15	60	57	90	413
228 445 00	45	15	67,5	64,5	100	497
228 448 00	48	15	72	69	100	465
228 450 00	50	15	75	72	105	489
228 460 00	60	15	90	87	120	558
228 470 00	70	15	105	102	135	653
228 472 00	72	15	108	105	140	716
228 480 00	80	15	120	117	150	738
228 490 00	90	15	135	132	170	975
228 410 00	100	15	150	147	190	1241
228 412 00	120	15	180	177	220	1441

Module 2.0 / b = 16 mm, Steel C45

Product No.	Number of teeth	b mm	d mm	d _i mm	DA mm	Weight g
241 430 00	30	16	60	56	95	530
241 436 00	36	16	72	68	107	599
241 440 00	40	16	80	76	115	662
241 445 00	45	16	90	86	125	729
241 448 00	48	16	96	92	131	761
241 450 00	50	16	100	96	135	783
241 455 00	55	16	110	106	145	865
241 460 00	60	16	120	116	155	930
241 465 00	65	16	130	126	165	999
241 470 00	70	16	140	136	175	1070
241 472 00	72	16	144	140	185	1313
241 480 00	80	16	160	156	195	1202
241 490 00	90	16	180	176	220	1538
241 410 00	100	16	200	196	240	1711
241 412 00	120	16	240	236	280	2014