

## Bearing Units, Roller Bearings, Plain Bearings, Bushes and Collars - Overview

### Roller Bearings



Single Row Ball Bearings from SKF®

Page 436



Single Row Ball Bearings 2Z with Shields, from SKF®

Page 436



Single Row Ball Bearings 2RS with Seals, from SKF®

Page 436



Single Row Ball Bearings ZZ with Shields, from MÄDLER®

Page 438



Single Row Ball Bearings 2RS with Seals, from MÄDLER®

Page 438



Angular Contact Ball Bearings from SKF®

Page 440



Self aligning Ball Bearings from SKF®

Page 440



Cylindrical Roller Bearings from SKF®

Page 441



Spherical Roller Bearings from SKF®

Page 441



Tapered Roller Bearings from SKF®

Page 442



Radial Shaft Seals Design A

Page 443

### Sintered Bronze Bushes



Bushes Version J Similar to DIN 1850 (DIN 4379 Version C) Made From Sintered Bronze For Plain Bearings

Page 445



Flange Bushes Version V Similar to DIN 1850 (DIN 4379 Version F) Made From Sintered Bronze For Plain Bearings

Page 446



Raw Material Made From Sintered Bronze with Bore for Plain Bearing Production

Page 446



Raw Material Made From Sintered Bronze without Bore for Plain Bearing Production

Page 446

### Slotted Bushes



Cylindrical Bushes, Slotted (without any lubrication)

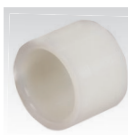
Page 447



Flange Bushes, Slotted (without any lubrication)

Page 447

### Plastic Bushes



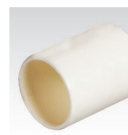
Bushes BP made from Polyamide 6.6 Die Cast for Plain Bearings -40°C to +80°C

Page 448



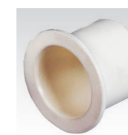
Bushes BBP made from Polyamide 6.6 Die Cast for Plain Bearings, -40°C to +80°C

Page 448



Cylindrical Bushes, plastic EP22™ -50°C to +170°C

Page 449



Flange Bushes, plastic EP22™, -50°C to +170°C

Page 449



Cylindrical Bushes, plastic EP43™, -40°C to +240°C

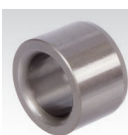
Page 450



Flange Bushes, plastic EP43™, -40°C to +240°C

Page 450

### Drill Bushes



Cylindrical Drill Bushes DIN 179 Version A

Page 451



Cylindrical Flanged Drill Bushes DIN 172 Version A

Page 451

### Adjusting Rings / Set Collars, Clamp collars / Shaft Collars



Adjusting Rings made from Steel, Steel Zinc-plated and Stainless Steel

Page 452



Clamp Collars, Slotted and 2-Part, from Steel burnished, Stainless Steel and Aluminium

Page 454



Clamp Collars, Double Wide, Slotted and 2-Part from Steel burnished and Stainless Steel

Page 456



Clamp Collars Slotted, with Thread, from Steel burnished and Stainless Steel

Page 457

## Single Row Deep Groove Ball Bearings SKF®, inner diameter 3 - 17 mm

Material: Bearing steel.

- Standard ball bearings in premium-quality.
- Most common bearing type.
- Usable for high speed.
- Insensitive in use and maintenance.
- On choice: Open, with friction-free metal shields 2Z (= ZZ)  
or with contacting rubber NBR seals 2RS1 / 2RSH.

Temperature range: -30°C to +90°C (for short time up to +110°C).

Other versions or other bearing types on request.

Orderung Details: e.g.: product No., quantity



Product No.	Main dimensions			Version	Load rating radial			Speed base min <sup>-1</sup>	Speed limit min <sup>-1</sup>	Weight g
	d mm	D mm	B mm		dyn.C kN	stat.C <sub>0</sub> kN	P <sub>U</sub> * kN			
623-2Z-SKF	3	10	4	shielded on both sides	0,54	0,18	0,007	130.000	60.000	1,5
624-2Z-SKF	4	13	5	shielded on both sides	0,94	0,29	0,012	110.000	53.000	3,1
625-SKF	5	16	5	open	1,14	0,38	0,016	95.000	60.000	5
625-2Z-SKF	5	16	5	shielded on both sides	1,14	0,38	0,016	95.000	48.000	5
625-2RS1-SKF	5	16	5	sealed on both sides	1,14	0,38	0,016	95.000	48.000	5
626-SKF	6	19	6	open	2,34	0,95	0,04	80.000	50.000	8,4
626-2Z-SKF	6	19	6	shielded on both sides	2,34	0,95	0,04	80.000	40.000	8,4
626-2RSH-SKF	6	19	6	sealed on both sides	2,34	0,95	0,04	-	24.000	8,4
607-2Z-SKF	7	19	6	shielded on both sides	2,34	0,95	0,04	85.000	43.000	7,5
607-2RSH-SKF	7	19	6	sealed on both sides	2,34	0,95	0,04	-	24.000	7,5
627-2Z-SKF	7	22	7	shielded on both sides	3,45	1,37	0,057	70.000	36.000	13
627-2RSH-SKF	7	22	7	sealed on both sides	3,45	1,37	0,057	-	22.000	12
608-SKF	8	22	7	open	3,45	1,37	0,057	75.000	48.000	12
608-2Z-SKF	8	22	7	shielded on both sides	3,45	1,37	0,057	75.000	38.000	12
608-2RSH-SKF	8	22	7	sealed on both sides	3,45	1,37	0,057	-	22.000	12
609-2Z-SKF	9	24	7	shielded on both sides	3,9	1,66	0,071	70.000	34.000	14
609-2RSH-SKF	9	24	7	sealed on both sides	3,9	1,66	0,071	-	19.000	14
629-2Z-SKF	9	26	8	shielded on both sides	4,75	1,96	0,083	60.000	30.000	20
629-2RSH-SKF	9	26	8	sealed on both sides	4,75	1,96	0,083	-	19.000	20
61800-SKF	10	19	5	open	1,38	0,59	0,025	80.000	48.000	5,5
61800-2Z-SKF	10	19	5	shielded on both sides	1,38	0,59	0,025	80.000	38.000	5,5
61800-2RS1-SKF	10	19	5	sealed on both sides	1,38	0,59	0,025	-	22.000	5,5
6000-SKF	10	26	8	open	4,75	1,96	0,083	67.000	40.000	19
6000-2Z-SKF	10	26	8	shielded on both sides	4,75	1,96	0,083	67.000	34.000	19
6000-2RSH-SKF	10	26	8	sealed on both sides	4,75	1,96	0,083	-	19.000	19
6200-SKF	10	30	9	open	5,4	2,36	0,1	56.000	34.000	32
6200-2Z-SKF	10	30	9	shielded on both sides	5,4	2,36	0,1	56.000	28.000	32
6200-2RSH-SKF	10	30	9	sealed on both sides	5,4	2,36	0,1	-	17.000	32
6300-2Z-SKF	10	35	11	shielded on both sides	8,52	3,4	0,143	50.000	26.000	53
6300-2RSH-SKF	10	35	11	sealed on both sides	8,52	3,4	0,143	-	15.000	53
61801-SKF	12	21	5	open	1,43	0,67	0,028	70.000	43.000	6,3
61801-2Z-SKF	12	21	5	shielded on both sides	1,43	0,67	0,028	70.000	36.000	6,3
61801-2RS1-SKF	12	21	5	sealed on both sides	1,43	0,67	0,028	-	20.000	6,3
6001-SKF	12	28	8	open	5,4	2,36	0,1	60.000	38.000	22
6001-2Z-SKF	12	28	8	shielded on both sides	5,4	2,36	0,1	60.000	30.000	22
6001-2RSH-SKF	12	28	8	sealed on both sides	5,4	2,36	0,1	-	17.000	22
6201-SKF	12	32	10	open	7,28	3,1	0,132	50.000	32.000	37
6201-2Z-SKF	12	32	10	shielded on both sides	7,28	3,1	0,132	50.000	26.000	37
6201-2RSH-SKF	12	32	10	sealed on both sides	7,28	3,1	0,132	-	15.000	37
6301-2Z-SKF	12	37	12	shielded on both sides	10,1	4,15	0,176	45.000	22.000	60
6301-2RSH-SKF	12	37	12	sealed on both sides	10,1	4,15	0,176	-	14.000	60
61802-2Z-SKF	15	24	5	shielded on both sides	1,56	0,8	0,034	60.000	30.000	7,4
61802-2RS1-SKF	15	24	5	sealed on both sides	1,56	0,8	0,034	-	17.000	7,4
6002-SKF	15	32	9	open	5,85	2,85	0,12	50.000	32.000	30
6002-2Z-SKF	15	32	9	shielded on both sides	5,85	2,85	0,12	50.000	26.000	30
6002-2RSH-SKF	15	32	9	sealed on both sides	5,85	2,85	0,12	-	14.000	30
6202-SKF	15	35	11	open	8,06	3,75	0,16	43.000	28.000	45
6202-2Z-SKF	15	35	11	shielded on both sides	8,06	3,75	0,16	43.000	22.000	45
6202-2RSH-SKF	15	35	11	sealed on both sides	8,06	3,75	0,16	-	13.000	45
6302-SKF	15	42	13	open	11,9	5,4	0,228	38.000	24.000	82
6302-2Z-SKF	15	42	13	shielded on both sides	11,9	5,4	0,228	38.000	19.000	82
6302-2RSH-SKF	15	42	13	sealed on both sides	11,9	5,4	0,228	-	12.000	82
61803-2Z-SKF	17	26	5	shielded on both sides	1,68	0,93	0,039	56.000	28.000	8,2
61803-2RS1-SKF	17	26	5	sealed on both sides	1,68	0,93	0,039	-	16.000	8,2
6003-SKF	17	35	10	open	6,37	3,25	0,137	45.000	28.000	39
6003-2Z-SKF	17	35	10	shielded on both sides	6,37	3,25	0,137	45.000	22.000	39
6003-2RSH-SKF	17	35	10	sealed on both sides	6,37	3,25	0,137	-	13.000	39
6203-SKF	17	40	12	open	9,95	4,75	0,2	38.000	24.000	65
6203-2Z-SKF	17	40	12	shielded on both sides	9,95	4,75	0,2	38.000	19.000	65
6203-2RSH-SKF	17	40	12	sealed on both sides	9,95	4,75	0,2	-	12.000	65
6303-SKF	17	47	14	open	14,3	6,55	0,275	34.000	22.000	120
6303-2Z-SKF	17	47	14	shielded on both sides	14,3	6,55	0,275	34.000	17.000	120
6303-2RSH-SKF	17	47	14	sealed on both sides	14,3	6,55	0,275	-	11.000	120

\* Fatigue load limit.

## Single Row Deep Groove Ball Bearings SKF®, inner diameter 20 - 50 mm

Material: Bearing steel.

- Standard ball bearings in premium-quality.
- Most common bearing type.
- Usable for high speed.
- Insensitive in use and maintenance.
- On choice: Open, with friction-free metal shields 2Z (= ZZ) or with contacting rubber NBR seals 2RS1 / 2RSH.

Temperature range: -30°C to +90°C (for short time up to +110°C).

Other versions or other bearing types on request.

Ordering Details: e.g.: product No., quantity



Product No.	Main dimensions			Version	Load rating radial			Speed base min <sup>-1</sup>	Speed limit min <sup>-1</sup>	Weight g
	d mm	D mm	B mm		dyn.C kN	stat.C <sub>0</sub> kN	P <sub>U</sub> * kN			
6004-SKF	20	42	12	open	9,95	5	0,212	38.000	24.000	69
6004-2Z-SKF	20	42	12	shielded on both sides	9,95	5	0,212	38.000	19.000	69
6004-2RSH-SKF	20	42	12	sealed on both sides	9,95	5	0,212	-	11.000	69
6204-SKF	20	47	14	open	13,5	6,55	0,28	32.000	20.000	110
6204-2Z-SKF	20	47	14	shielded on both sides	13,5	6,55	0,28	32.000	17.000	110
6204-2RSH-SKF	20	47	14	sealed on both sides	13,5	6,55	0,28	-	10.000	110
6304-SKF	20	52	15	open	16,8	7,8	0,335	30.000	19.000	140
6304-2Z-SKF	20	52	15	shielded on both sides	16,8	7,8	0,335	30.000	15.000	140
6304-2RSH-SKF	20	52	15	sealed on both sides	16,8	7,8	0,335	-	9.500	140
6005-SKF	25	47	12	open	11,9	6,55	0,275	32.000	20.000	80
6005-2Z-SKF	25	47	12	shielded on both sides	11,9	6,55	0,275	32.000	16.000	80
6005-2RSH-SKF	25	47	12	sealed on both sides	11,9	6,55	0,275	-	9.500	80
6205-SKF	25	52	15	open	14,8	7,8	0,335	28.000	18.000	130
6205-2Z-SKF	25	52	15	shielded on both sides	14,8	7,8	0,335	28.000	14.000	130
6205-2RSH-SKF	25	52	15	sealed on both sides	14,8	7,8	0,335	-	8.500	130
6305-SKF	25	62	17	open	23,4	11,6	0,49	24.000	16.000	230
6305-2Z-SKF	25	62	17	shielded on both sides	23,4	11,6	0,49	24.000	13.000	230
6305-2RS1-SKF	25	62	17	sealed on both sides	23,4	11,6	0,49	-	7.500	230
6006-SKF	30	55	13	open	13,8	8,3	0,355	28.000	17.000	120
6006-2Z-SKF	30	55	13	shielded on both sides	13,8	8,3	0,355	28.000	14.000	120
6006-2RS1-SKF	30	55	13	sealed on both sides	13,8	8,3	0,355	-	8.000	120
6206-SKF	30	62	16	open	20,3	11,2	0,475	24.000	15.000	200
6206-2Z-SKF	30	62	16	shielded on both sides	20,3	11,2	0,475	24.000	12.000	200
6206-2RS1-SKF	30	62	16	sealed on both sides	20,3	11,2	0,475	-	7.500	200
6306-SKF	30	72	19	open	29,6	16	0,67	20.000	13.000	350
6306-2Z-SKF	30	72	19	shielded on both sides	29,6	16	0,67	20.000	11.000	350
6306-2RS1-SKF	30	72	19	sealed on both sides	29,6	16	0,67	-	6.300	350
6007-SKF	35	62	14	open	16,8	10,2	0,44	24.000	15.000	160
6007-2Z-SKF	35	62	14	shielded on both sides	16,8	10,2	0,44	24.000	12.000	160
6007-2RS1-SKF	35	62	14	sealed on both sides	16,8	10,2	0,44	-	7.000	160
6207-SKF	35	72	17	open	27	15,3	0,66	20.000	13.000	290
6207-2Z-SKF	35	72	17	shielded on both sides	27	15,3	0,66	20.000	10.000	290
6207-2RS1-SKF	35	72	17	sealed on both sides	27	15,3	0,66	-	6.300	290
6307-SKF	35	80	21	open	35,1	19	0,82	19.000	12.000	460
6307-2Z-SKF	35	80	21	shielded on both sides	35,1	19	0,82	19.000	9.500	460
6307-2RS1-SKF	35	80	21	sealed on both sides	35,1	19	0,82	-	6.000	460
6008-SKF	40	68	15	open	17,8	11,6	0,49	22.000	14.000	190
6008-2Z-SKF	40	68	15	shielded on both sides	17,8	11,6	0,49	22.000	11.000	190
6008-2RS1-SKF	40	68	15	sealed on both sides	17,8	11,6	0,49	-	6.300	190
6208-SKF	40	80	18	open	32,5	19	0,8	18.000	11.000	370
6208-2Z-SKF	40	80	18	shielded on both sides	32,5	19	0,8	18.000	9.000	370
6208-2RS1-SKF	40	80	18	sealed on both sides	32,5	19	0,8	-	5.600	370
6308-SKF	40	90	23	open	42,3	24	1,02	17.000	11.000	630
6308-2Z-SKF	40	90	23	shielded on both sides	42,3	24	1,02	17.000	8.500	630
6308-2RS1-SKF	40	90	23	sealed on both sides	42,3	24	1,02	-	5.000	630
6009-SKF	45	75	16	open	22,1	14,6	0,64	20.000	12.000	250
6009-2Z-SKF	45	75	16	shielded on both sides	22,1	14,6	0,64	20.000	10.000	250
6009-2RS1-SKF	45	75	16	sealed on both sides	22,1	14,6	0,64	-	5.600	250
6209-SKF	45	85	19	open	35,1	21,6	0,92	17.000	11.000	410
6209-2Z-SKF	45	85	19	shielded on both sides	35,1	21,6	0,92	17.000	8.500	410
6209-2RS1-SKF	45	85	19	sealed on both sides	35,1	21,6	0,92	-	5.000	410
6309-SKF	45	100	25	open	55,3	31,5	1,34	15.000	9.500	830
6309-2Z-SKF	45	100	25	shielded on both sides	55,3	31,5	1,34	15.000	7.500	830
6309-2RS1-SKF	45	100	25	sealed on both sides	55,3	31,5	1,34	-	4.500	830
6010-SKF	50	80	16	open	22,9	16	0,71	18.000	11.000	260
6010-2Z-SKF	50	80	16	shielded on both sides	22,9	16	0,71	18.000	9.000	260
6010-2RS1-SKF	50	80	16	sealed on both sides	22,9	16	0,71	-	5.000	260
6210-SKF	50	90	20	open	37,1	23,2	0,98	15.000	10.000	460
6210-2Z-SKF	50	90	20	shielded on both sides	37,1	23,2	0,98	15.000	8.000	460
6210-2RS1-SKF	50	90	20	sealed on both sides	37,1	23,2	0,98	-	4.800	460
6310-SKF	50	110	27	open	65	38	1,6	13.000	8.500	1050
6310-2Z-SKF	50	110	27	shielded on both sides	65	38	1,6	13.000	6.700	1050
6310-2RS1-SKF	50	110	27	sealed on both sides	65	38	1,6	-	4.300	1050

\* Fatigue load limit.

## Single Row Deep Groove Ball Bearings **MÄDLER**<sup>®</sup>, inner diameter 3 - 17 mm

Material: Bearing steel.

- Standard ball bearings in high quality.
- Most common bearing type.
- Usable for high speed.
- Insensitive in use and maintenance.
- On choice: With friction-free metal shields ZZ (= 2Z)  
or with contacting rubber seals 2RS.

Temperature range: -30°C to +90°C (for short time up to +110°C).

Other versions or other bearing types on request.

Ordering Details: e.g.: product No., quantity



Product No.	Main dimensions			Version	Load rating radial		Speed limit min <sup>-1</sup>	Weight g
	d mm	D mm	B mm		dyn.C kN	stat.C <sub>0</sub> kN		
623-ZZ-MAE	3	10	4	shielded on both sides	0,63	0,22	50.000	1,7
624-ZZ-MAE	4	13	5	shielded on both sides	1,30	0,49	40.000	3,0
625-ZZ-MAE	5	16	5	shielded on both sides	1,73	0,67	36.000	4,9
625-2RS-MAE	5	16	5	sealed on both sides	1,73	0,67	25.000	4,9
626-ZZ-MAE	6	19	6	shielded on both sides	2,34	0,89	32.000	7,9
626-2RS-MAE	6	19	6	sealed on both sides	2,34	0,89	22.000	7,9
607-ZZ-MAE	7	19	6	shielded on both sides	2,34	0,89	36.000	7,5
607-2RS-MAE	7	19	6	sealed on both sides	2,34	0,89	22.000	7,5
627-ZZ-MAE	7	22	7	shielded on both sides	3,30	1,37	30.000	12,9
627-2RS-MAE	7	22	7	sealed on both sides	3,30	1,37	20.000	12,9
608-ZZ-MAE	8	22	7	shielded on both sides	3,30	1,37	34.000	12,2
608-2RS-MAE	8	22	7	sealed on both sides	3,30	1,37	20.000	12,2
609-ZZ-MAE	9	24	7	shielded on both sides	3,35	1,43	32.000	14,7
609-2RS-MAE	9	24	7	sealed on both sides	3,35	1,43	19.000	14,7
629-ZZ-MAE	9	26	8	shielded on both sides	4,55	1,97	28.000	19,3
629-2RS-MAE	9	26	8	sealed on both sides	4,55	1,97	18.000	19,3
61800-ZZ-MAE	10	19	5	shielded on both sides	1,72	0,84	24.000	5,5
61800-2RS-MAE	10	19	5	sealed on both sides	1,72	0,84	17.000	5,5
61900-ZZ-MAE	10	22	6	shielded on both sides	2,70	1,27	22.000	10
61900-2RS-MAE	10	22	6	sealed on both sides	2,70	1,27	15.500	10
6000-ZZ-MAE	10	26	8	shielded on both sides	4,55	1,97	31.000	19
6000-2RS-MAE	10	26	8	sealed on both sides	4,55	1,97	19.000	19
6200-ZZ-MAE	10	30	9	shielded on both sides	5,10	2,39	24.000	32
6200-2RS-MAE	10	30	9	sealed on both sides	5,10	2,39	17.000	32
6300-ZZ-MAE	10	35	11	shielded on both sides	8,10	3,47	22.000	53
6300-2RS-MAE	10	35	11	sealed on both sides	8,10	3,47	15.000	53
61801-ZZ-MAE	12	21	5	shielded on both sides	1,92	1,04	20.000	6,3
61801-2RS-MAE	12	21	5	sealed on both sides	1,92	1,04	14.000	6,3
61901-ZZ-MAE	12	24	6	shielded on both sides	2,89	1,46	20.000	10
61901-2RS-MAE	12	24	6	sealed on both sides	2,89	1,46	14.000	10
6001-ZZ-MAE	12	28	8	shielded on both sides	5,10	2,84	27.000	22
6001-2RS-MAE	12	28	8	sealed on both sides	5,10	2,84	17.000	22
6201-ZZ-MAE	12	32	10	shielded on both sides	6,80	3,06	22.000	37
6201-2RS-MAE	12	32	10	sealed on both sides	6,80	3,06	15.000	37
6301-ZZ-MAE	12	37	12	shielded on both sides	9,70	5,09	20.000	60
6301-2RS-MAE	12	37	12	sealed on both sides	9,70	5,09	14.000	60
61802-ZZ-MAE	15	24	5	shielded on both sides	2,07	1,26	17.000	7,4
61802-2RS-MAE	15	24	5	sealed on both sides	2,07	1,26	12.000	7,4
61902-ZZ-MAE	15	28	7	shielded on both sides	4,35	2,26	17.000	20
61902-2RS-MAE	15	28	7	sealed on both sides	4,35	2,26	12.000	20
6002-ZZ-MAE	15	32	9	shielded on both sides	5,60	2,84	23.000	30
6002-2RS-MAE	15	32	9	sealed on both sides	5,60	2,84	14.000	30
6202-ZZ-MAE	15	35	11	shielded on both sides	7,65	3,72	20.000	45
6202-2RS-MAE	15	35	11	sealed on both sides	7,65	3,72	12.000	45
6302-ZZ-MAE	15	42	13	shielded on both sides	11,4	5,43	17.000	82
6302-2RS-MAE	15	42	13	sealed on both sides	11,4	5,43	12.000	82
61803-ZZ-MAE	17	26	5	shielded on both sides	2,63	1,57	15.000	8,2
61803-2RS-MAE	17	26	5	sealed on both sides	2,63	1,57	10.500	8,2
61903-ZZ-MAE	17	30	7	shielded on both sides	4,60	2,55	15.000	20
61903-2RS-MAE	17	30	7	sealed on both sides	4,60	2,55	10.500	20
6003-ZZ-MAE	17	35	10	shielded on both sides	6,00	3,25	21.000	39
6003-2RS-MAE	17	35	10	sealed on both sides	6,00	3,25	13.000	39
6203-ZZ-MAE	17	40	12	shielded on both sides	9,55	4,79	17.000	65
6203-2RS-MAE	17	40	12	sealed on both sides	9,55	4,79	12.000	65
6303-ZZ-MAE	17	47	14	shielded on both sides	13,6	6,58	15.000	120

## Single Row Deep Groove Ball Bearings **MÄDLER**®, inner diameter 20 - 50 mm

Material: Bearing steel.

- Standard ball bearings in high quality.
- Most common bearing type.
- Usable for high speed.
- Insensitive in use and maintenance.
- On choice: With friction-free metal shields ZZ (= ZZ) or with contacting rubber seals 2RS.

Temperature range: -30°C to +90°C (for short time up to +110°C).

Other versions or other bearing types on request.

Ordering Details: e.g.: product No., quantity

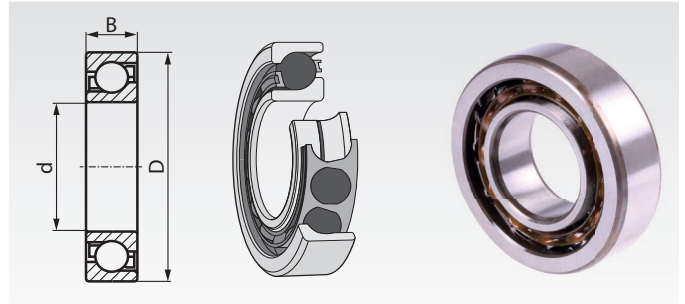


Product No.	Main dimensions			Version	Load rating radial		Speed limit min <sup>-1</sup>	Weight g
	d mm	D mm	B mm		dyn.C kN	stat.C <sub>0</sub> kN		
61804-ZZ-MAE	20	32	7	shielded on both sides	4,00	2,47	13.000	20
61804-2RS-MAE	20	32	7	sealed on both sides	4,00	2,47	9.100	20
61904-ZZ-MAE	20	37	9	shielded on both sides	6,40	3,70	12.000	40
61904-2RS-MAE	20	37	9	sealed on both sides	6,40	3,70	8.400	40
6004-ZZ-MAE	20	42	12	shielded on both sides	9,40	5,03	15.000	69
6004-2RS-MAE	20	42	12	sealed on both sides	9,40	5,03	11.000	69
6204-ZZ-MAE	20	47	14	shielded on both sides	12,8	6,65	14.000	110
6204-2RS-MAE	20	47	14	sealed on both sides	12,8	6,65	10.000	110
6304-ZZ-MAE	20	52	15	shielded on both sides	15,9	7,88	13.000	140
6304-2RS-MAE	20	52	15	sealed on both sides	15,9	7,88	9.500	140
61805-ZZ-MAE	25	37	7	shielded on both sides	4,50	3,15	10.000	20
61805-2RS-MAE	25	37	7	sealed on both sides	4,50	3,15	7.000	20
61905-ZZ-MAE	25	42	9	shielded on both sides	7,05	4,55	10.000	50
61905-2RS-MAE	25	42	9	sealed on both sides	7,05	4,55	7.000	50
6005-ZZ-MAE	25	47	12	shielded on both sides	10,1	5,85	13.000	80
6005-2RS-MAE	25	47	12	sealed on both sides	10,1	5,85	9.500	80
6205-ZZ-MAE	25	52	15	shielded on both sides	14,0	7,88	12.000	130
6205-2RS-MAE	25	52	15	sealed on both sides	14,0	7,88	8.400	130
6305-ZZ-MAE	25	62	17	shielded on both sides	20,6	11,5	10.000	230
6305-2RS-MAE	25	62	17	sealed on both sides	20,6	11,5	7.000	230
61806-ZZ-MAE	30	42	7	shielded on both sides	4,70	3,65	9.000	30
61806-2RS-MAE	30	42	7	sealed on both sides	4,70	3,65	6.300	30
61906-ZZ-MAE	30	47	9	shielded on both sides	7,25	5,00	8.500	50
61906-2RS-MAE	30	47	9	sealed on both sides	7,25	5,00	6.000	50
6006-ZZ-MAE	30	55	13	shielded on both sides	13,2	8,30	10.000	120
6006-2RS-MAE	30	55	13	sealed on both sides	13,2	8,30	7.000	120
6206-ZZ-MAE	30	62	16	shielded on both sides	19,5	11,3	9.500	200
6206-2RS-MAE	30	62	16	sealed on both sides	19,5	11,3	6.500	200
6306-2RS-MAE	30	72	19	sealed on both sides	26,7	15,2	6.500	350
61907-ZZ-MAE	35	55	10	shielded on both sides	10,6	7,25	7.500	80
61907-2RS-MAE	35	55	10	sealed on both sides	10,6	7,25	5.300	80
6007-ZZ-MAE	35	62	14	shielded on both sides	16,0	10,4	9.000	160
6007-2RS-MAE	35	62	14	sealed on both sides	16,0	10,4	6.300	160
6207-ZZ-MAE	35	72	17	shielded on both sides	25,7	15,2	8.500	290
6207-2RS-MAE	35	72	17	sealed on both sides	25,7	15,2	6.000	290
6307-2RS-MAE	35	80	21	sealed on both sides	33,5	19,2	6.000	460
61908-ZZ-MAE	40	62	12	shielded on both sides	13,7	10,0	6.300	120
61908-2RS-MAE	40	62	12	sealed on both sides	13,7	10,0	4.410	120
6008-ZZ-MAE	40	68	15	shielded on both sides	16,8	11,8	8.500	190
6008-2RS-MAE	40	68	15	sealed on both sides	16,8	11,8	6.300	190
6208-ZZ-MAE	40	80	18	shielded on both sides	29,5	18,0	8.000	370
6208-2RS-MAE	40	80	18	sealed on both sides	29,5	18,0	5.600	370
6308-2RS-MAE	40	90	23	sealed on both sides	40,8	24,0	4.900	630
61809-ZZ-MAE	45	58	7	shielded on both sides	5,35	5,25	6.000	140
61809-2RS-MAE	45	58	7	sealed on both sides	5,35	5,25	4.200	140
6009-ZZ-MAE	45	75	16	shielded on both sides	21,0	14,8	8.000	250
6009-2RS-MAE	45	75	16	sealed on both sides	21,0	14,8	5.600	250
6209-ZZ-MAE	45	85	19	shielded on both sides	31,5	20,5	7.000	410
6209-2RS-MAE	45	85	19	sealed on both sides	31,5	20,5	4.900	410
6309-ZZ-MAE	45	100	25	shielded on both sides	52,8	31,8	6.300	830
6309-2RS-MAE	45	100	25	sealed on both sides	52,8	31,8	4.400	830
6010-ZZ-MAE	50	80	16	shielded on both sides	22,0	16,2	7.000	260
6010-2RS-MAE	50	80	16	sealed on both sides	22,0	16,2	5.000	260
6210-ZZ-MAE	50	90	20	shielded on both sides	35,0	23,2	6.700	460
6210-2RS-MAE	50	90	20	sealed on both sides	35,0	23,2	4.700	460
6310-ZZ-MAE	50	110	27	shielded on both sides	61,8	38,1	6.000	1050
6310-2RS-MAE	50	110	27	sealed on both sides	61,8	38,1	4.200	1050

## Angular Contact Ball Bearings SKF®, Single Row, inner diameter 10 - 30 mm

Material: Bearing steel.

- Angular contact ball bearings in premium-quality.
- For common axial and radial load.
- Usable for high speed.
- Basic version for one bearing per bearing point (shaft end).
- A second bearing point (opposite bearing) is required.



Temperature range: -30°C to +90°C (for short time up to +110°C).

Other versions or sizes on request.

Orderung Details: e.g.: product No., quantity

Product No.	SKF-code	Main dimensions			Version	Load rating radial			Speed base min <sup>-1</sup>	Speed limit min <sup>-1</sup>	Weight g
		d mm	D mm	B mm		dyn.C kN	stat.C <sub>0</sub> kN	P <sub>u</sub> * kN			
647 710 01	7200 BEP	10	30	9	basic	7,02	3,35	0,14	30.000	30.000	30
647 710 02	7201 BEP	12	32	10	basic	7,61	3,8	0,16	26.000	26.000	36
647 710 05	7202 BEP	15	35	11	basic	8,84	4,8	0,204	24.000	24.000	45
647 710 08	7203 BEP	17	40	12	basic	10,4	5,5	0,236	20.000	20.000	64
647 710 13	7204 BEP	20	47	14	basic	13,3	7,65	0,325	18.000	18.000	110
647 710 22	7205 BEP	25	52	15	basic	14,8	9,3	0,40	15.000	15.000	130
647 710 29	7206 BEP	30	62	16	basic	22,5	14,3	0,61	13.000	13.000	190

Supplementary designations:

B = 40° contact angle.

E = Optimized internal design.

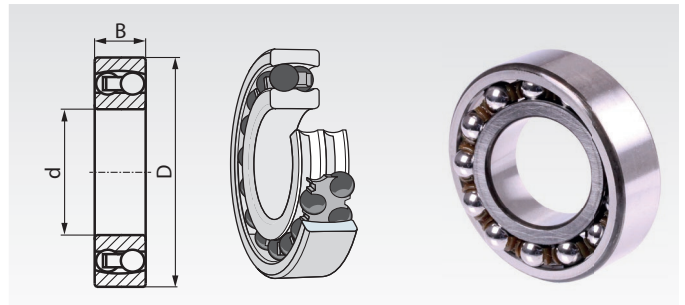
P = Injection moulded window-type cage of glass fibre reinforced polyamide 66, ball centred.

\* Fatigue load limit.

## Self Aligning Ball Bearings SKF®, Double Row, inner diameter 10 - 50 mm

Material: Bearing steel.

- Self aligning ball bearings in premium-quality.
- For middle-high, common axial and radial load.
- Usable at angular displacement.
- Usable for high speed.



Temperature range: -30°C to +90°C (for short time up to +110°C).

Other versions or sizes on request.

Orderung Details: e.g.: product No., quantity

Product No.	SKF-code	Main dimensions			Version	Load rating radial			Speed base min <sup>-1</sup>	Speed limit min <sup>-1</sup>	Weight g	
		d mm	D mm	B mm		dyn.C kN	stat.C <sub>0</sub> kN	α* Grad				P <sub>u</sub> ** kN
647 730 12	1200 ETN9	10	30	9	basic, open	5,53	1,18	2,5	0,061	56.000	36.000	34
647 730 14	2200 E-2RS1TN9	10	30	14	sealed on both sides	5,53	1,18	1,5	0,060	-	17.000	48
647 730 16	1201 ETN9	12	32	10	basic, open	6,24	1,43	2,5	0,072	50.000	32.000	40
647 730 18	2201 E-2RS1TN9	12	32	14	sealed on both sides	6,24	1,43	1,5	0,08	-	16.000	53
647 730 24	1202 ETN9	15	35	11	basic, open	7,41	1,76	2,5	0,09	45.000	28.000	49
647 730 26	2202 E-2RS1TN9	15	35	14	sealed on both sides	7,41	1,76	1,5	0,09	-	14.000	58
647 730 32	1203 ETN9	17	40	12	basic, open	8,84	2,2	2,5	0,12	38.000	24.000	73
647 730 34	2203 E-2RS1TN9	17	40	16	sealed on both sides	8,84	2,2	1,5	0,12	-	12.000	89
647 730 40	1204 ETN9	20	47	14	basic, open	12,7	3,4	2,5	0,18	32.000	20.000	120
647 730 42	2204 E-2RS1TN9	20	47	18	sealed on both sides	12,7	3,4	1,5	0,18	-	10.000	140
647 730 48	1205 ETN9	25	52	15	basic, open	14,3	4	2,5	0,21	28.000	18.000	140
647 730 50	2205 E-2RS1TN9	25	52	18	sealed on both sides	14,3	4	1,5	0,21	-	9.000	160
647 730 56	1206 ETN9	30	62	16	basic, open	15,6	4,65	2,5	0,24	24.000	15.000	220
647 730 58	2206 E-2RS1TN9	30	62	20	sealed on both sides	15,6	4,65	1,5	0,24	-	7.500	260
647 730 64	1207 ETN9	35	72	17	basic, open	19	6	2,5	0,31	20.000	13.000	320
647 730 66	2207 E-2RS1TN9	35	72	23	sealed on both sides	19	6	1,5	0,31	-	6.300	410
647 730 72	1208 ETN9	40	80	18	basic, open	19,9	6,95	2,5	0,36	18.000	11.000	420
647 730 74	2208 E-2RS1TN9	40	80	23	sealed on both sides	19,9	6,95	1,5	0,36	-	5.600	500
647 730 82	1209 ETN9	45	85	19	basic, open	22,9	7,8	2,5	0,40	17.000	11.000	470
647 730 84	2209 E-2RS1TN9	45	85	23	sealed on both sides	22,9	7,8	1,5	0,40	-	5.300	530
647 730 90	1210 ETN9	50	90	20	basic, open	26,5	9,15	2,5	0,48	16.000	10.000	530
647 730 92	2210 E-2RS1TN9	50	90	23	sealed on both sides	22,9	8,15	1,5	0,42	-	4.800	570

Supplementary designations:

E = Optimized internal design.

TN9 = Injection moulded snap-type cage of glass fibre reinforced polyamide 66, ball centred

2RS1 = Sheet steel reinforced contact seal of acrylonitrile-butadiene rubber (NBR) on both sides.

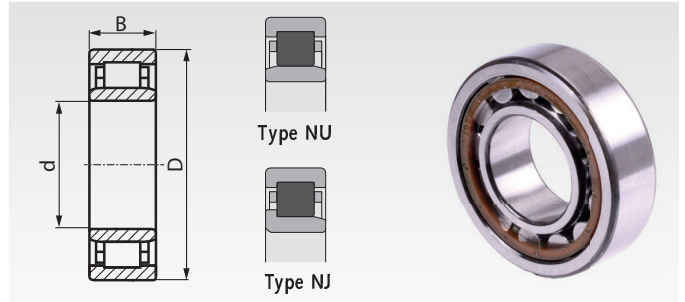
\* Max. disalignment.

\*\* Fatigue load limit.

## Cylindrical Roller Bearings SKF®, Single Row, inner diameter 15 - 50 mm

**Material:** Bearing steel.

- Cylindrical roller bearings in premium-quality.
- For high radial load.
- Displaceable in both directions (type NU) or in one direction (Type NJ).
- Usable for high speed, with groove and 3 lubrication holes.
- Easy to mount (the inner ring is loose).



Temperature range: -30°C to +90°C (for short time up to +110°C).

**Other versions or sizes on request.**

Orderung Details: e.g.: product No., quantity

Product No.	SKF-code	Main dimensions			Type	Load rating radial			P <sub>u</sub> **	Speed base	Speed limit	Weight
		d mm	D mm	B mm		dyn.C kN	stat.C <sub>0</sub> kN	s* mm				
647 750 01	NU 202 ECP	15	35	11	displaceable to both sides	12,5	10,2	1,0	1,22	22.000	26.000	47
647 750 02	NJ 202 ECP	15	35	11	displaceable to one side	12,5	10,2	1,0	1,22	22.000	26.000	48
647 750 03	NU 203 ECP	17	40	12	displaceable to both sides	17,2	14,3	1,0	1,73	19.000	22.000	68
647 750 04	NJ 203 ECP	17	40	12	displaceable to one side	17,2	14,3	1,0	1,73	19.000	22.000	70
647 750 13	NU 204 ECP	20	47	14	displaceable to both sides	25,1	22,0	1,0	2,75	16.000	19.000	110
647 750 14	NJ 204 ECP	20	47	14	displaceable to one side	25,1	22,0	1,0	2,75	16.000	19.000	110
647 750 28	NU 205 ECP	25	52	15	displaceable to both sides	28,6	27,0	1,3	3,35	14.000	16.000	130
647 750 29	NJ 205 ECP	25	52	15	displaceable to one side	28,6	27,0	1,3	3,35	14.000	16.000	140
647 750 52	NU 206 ECP	30	62	16	displaceable to both sides	44,0	36,5	1,3	4,55	13.000	14.000	200
647 750 53	NJ 206 ECP	30	62	16	displaceable to one side	44,0	36,5	1,3	4,55	13.000	14.000	200
647 750 62	NU 207 ECP	35	72	17	displaceable to both sides	56,0	48,0	1,3	6,10	11.000	12.000	290
647 750 63	NJ 207 ECP	35	72	17	displaceable to one side	56,0	48,0	1,3	6,10	11.000	12.000	300
647 750 78	NU 208 ECP	40	80	18	displaceable to both sides	62,0	53,0	1,4	6,70	9.500	11.000	370
647 750 79	NJ 208 ECP	40	80	18	displaceable to one side	62,0	53,0	1,4	6,70	9.500	11.000	390
647 750 95	NU 209 ECP	45	85	19	displaceable to both sides	69,5	64,0	1,2	8,15	9.000	9.500	430
647 750 96	NJ 209 ECP	45	85	19	displaceable to one side	69,5	64,0	1,2	8,15	9.000	9.500	440
647 751 12	NU 210 ECP	50	90	20	displaceable to both sides	73,5	69,5	1,5	8,80	8.500	9.000	480
647 751 13	NJ 210 ECP	50	90	20	displaceable to one side	73,5	69,5	1,5	8,80	8.500	9.000	490

Supplementary designations:

EC = Optimized internal design.

P = Injection moulded window-type cage of glass fibre reinforced polyamide 66, ball centred.

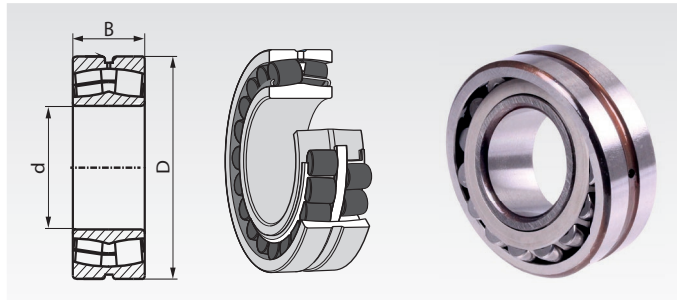
\* Max. displacement from the middle.

\*\* Fatigue load limit.

## Spherical Roller Bearings SKF®, Double Row, inner diameter 25 - 50 mm

**Material:** Bearing steel.

- Spherical roller bearings in premium-quality.
- For very high radial load and common high axial load in both directions.
- Usable at angular displacement.
- Usable for high speed, with groove and 3 lubrication holes.



Temperature range: -30°C to +150°C (for short time up to +200°C).

**Other versions or sizes on request.**

Orderung Details: e.g.: product No., quantity

Product No.	SKF-code	Main dimensions			Version	Load rating radial			P <sub>u</sub> **	Speed base	Speed limit	Weight
		d mm	D mm	B mm		dyn.C kN	stat.C <sub>0</sub> kN	α* Grad				
647 760 12	22205 E	25	52	18	standard	49,0	44	2	4,75	13.000	17.000	260
647 760 14	22206 E	30	62	20	standard	64,0	60	2	6,4	10.000	14.000	290
647 760 16	22207 E	35	72	23	standard	86,5	85	2	9,3	9.000	12.000	450
647 760 18	22208 E	40	80	23	standard	96,5	90	2	9,8	8.000	11.000	530
647 760 22	22209 E	45	85	23	standard	102,0	98	2	10,8	7.500	10.000	580
647 760 28	22210 E	50	90	23	standard	104,0	108	2	11,8	7.000	9.500	630

Supplementary designations:

E = Two pressed window-type steel cages, flangeless inner ring and guide ring centred on the inner ring.

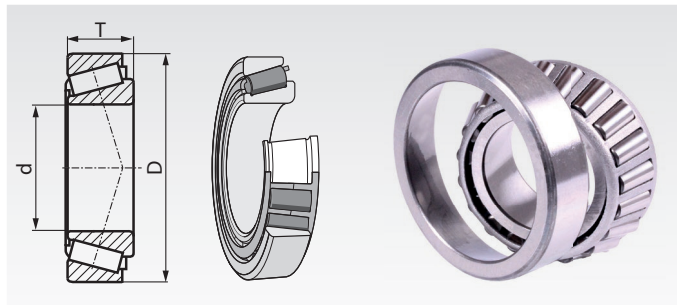
\* Max. disalignment.

\*\* Fatigue load limit.

## Tapered Roller Bearings SKF®, Single Row, inner diameter 15 - 50 mm

Material: Bearing steel.

- Tapered roller bearings in premium-quality.
- For common axial and radial load.
- Usable for low speed to middle speed.
- Easy to mount (the outer ring is loose).



Temperature range: -30°C to +90°C (for short time up to +110°C).

Other versions or sizes on request.

Ordering Details: e.g.: product No., quantity

Product No.	SKF-code	Main dimensions			Version	Load rating radial		P <sub>u</sub> * kN	Speed base min <sup>-1</sup>	Speed limit min <sup>-1</sup>	Weight g
		d mm	D mm	T mm		dyn. C kN	stat. C <sub>0</sub> kN				
647 770 10	30302 J2	15	42	14,25	standard size	22,4	20,0	2,08	13.000	18.000	95
647 770 11	30203 J2	17	40	13,25	kompakt size	19,0	18,6	1,83	13.000	18.000	75
647 770 12	30303 J2	17	47	15,25	medium size	28,1	25,0	2,75	12.000	16.000	130
647 770 14	32004 X/Q	20	42	15	ISO-size	24,2	27,0	2,70	12.000	16.000	97
647 770 15	30204 J2/Q	20	47	15,25	medium size	27,5	28,0	3,00	11.000	15.000	120
647 770 16	30304 J2/Q	20	52	16,25	heavy size	34,1	32,5	3,60	11.000	14.000	170
647 770 19	32005 X/Q	25	47	15	ISO-size	27,0	32,5	3,25	11.000	14.000	110
647 770 20	30205 J2/Q	25	52	16,25	medium size	30,8	33,5	3,45	10.000	13.000	150
647 770 23	30305 J2/Q	25	62	18,25	heavy size	44,6	43,0	4,75	9.000	12.000	260
647 770 29	32006 X/Q	30	55	17	ISO-size	35,8	44,0	4,55	9.000	12.000	170
647 770 30	30206 J2/Q	30	62	17,25	medium size	40,2	44,0	4,80	8.500	11.000	230
647 770 34	30306 J2/Q	30	72	20,75	heavy size	56,1	56,0	6,40	7.500	10.000	390
647 770 39	32007 X/Q	35	62	18	ISO-size	49,0	54,0	5,85	8.500	11.000	220
647 770 41	30207 J2/Q	35	72	18,25	medium size	51,2	56,0	6,10	7.000	9.500	320
647 770 44	30307 J2/Q	35	80	22,75	heavy size	72,1	73,5	8,30	6.700	9.000	520
647 770 54	32008 X/Q	40	68	19	ISO-size	52,8	71,0	7,65	7.000	9.500	270
647 770 57	30208 J2/Q	40	80	19,75	medium size	61,6	68,0	7,65	6.300	8.500	420
647 770 61	30308 J2/Q	40	90	25,25	heavy size	85,8	95,0	10,80	6.000	8.000	720
647 770 64	32009 X/Q	45	75	20	ISO-size	58,3	80,0	8,80	6.300	8.500	340
647 770 67	30209 J2/Q	45	85	20,75	medium size	66,0	76,5	8,65	6.000	8.000	480
647 770 73	30309 J2/Q	45	100	27,25	heavy size	108,0	120,0	14,30	5.300	7.000	970
647 770 78	32010 X/Q	50	80	20	ISO-size	60,5	88,0	9,65	6.000	8.000	370
647 770 83	30210 J2/Q	50	90	21,75	medium size	76,5	91,5	10,40	5.600	7.500	540
647 770 90	30310 J2/Q	50	110	29,25	heavy size	143,0	140,0	16,60	5.300	6.300	1250

Supplementary designations:

J2 = Steel cage in special version.

X = Boundary dimensions changed to conform to ISO

Q = Optimized contact geometry and surface finish.

\* Fatigue load limit.

**Locknuts,  
Lockwashers  
page 515**



**Hook Wrenches  
page 517**





## Radial Shaft Seals Design A, for Shaft Diameter 6 to 30 mm

Material:: Elastomer: NBR.

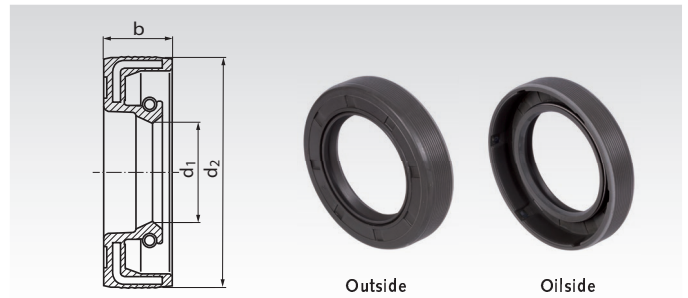
Stiffening ring and tension spring from steel.

- According to DIN 3760 Design A respectively ISO 6194-1 figure 1 and in many additional sizes.
- Most common design, with one seal lip.
- For oil- and grease-lubricated applications.
- For high speed, sliding speed up to 14m/s.

Recommended tolerances: Housing bore H8, shaft-Ø h11,

Shaft roughness  $R_a$  0.2 to 0.8  $\mu\text{m}$ .

Temperature range: -40°C to +100°C (for short time up to +120°C).



Ordering Details: e.g.: Product No. 647 900 05, Radial Shaft Seal Design A, 6x16x5mm

Product No.	d <sub>1</sub> mm	d <sub>2</sub> mm	b mm	Weight g
647 900 05	6	16	5	1,7
647 900 06	6	16	7	1,8
647 900 07	6	22	7	3,8
647 900 08	7	22	7	3,6
647 900 12	8	22	7	4,0
647 900 14	10	19	7	2,7
647 900 17	10	22	7	3,4
647 900 18	10	24	7	4,0
647 900 20	10	26	7	4,4
647 900 21	12	19	5	1,5
647 900 22	12	22	5	2,5
647 900 23	12	22	6	2,8
647 900 24	12	22	7	3,6
647 900 25	12	24	7	3,8
647 900 27	12	28	7	5,3
647 900 28	12	30	7	6,1
647 900 29	12	32	7	6,5
647 900 31	14	24	7	4,0
647 900 32	14	25	5	3,0
647 900 34	14	30	7	5,8
647 900 35	15	24	7	3,3
647 900 36	15	25	5	2,6
647 900 38	15	26	7	4,0
647 900 39	15	30	7	6,2
647 900 40	15	32	7	6,4
647 900 41	15	35	7	8,5
647 900 43	15	40	10	12,9
647 900 45	16	28	7	4,8
647 900 48	16	30	7	5,5
647 900 49	16	32	7	6,3
647 900 50	16	35	7	7,5
647 900 51	17	28	7	4,4
647 900 52	17	29	5	4,1
647 900 53	17	30	7	6,0
647 900 54	17	32	7	6,1
647 900 55	17	35	7	8,5
647 900 57	17	40	7	10,9
647 900 58	17	40	10	11,6
647 900 59	18	28	7	4,1
647 900 61	18	30	7	5,5
647 900 62	18	32	7	6,7
647 900 63	18	35	7	7,9
647 900 66	19	30	7	5,7
647 900 68	19	32	7	6,7
647 900 70	20	30	5	3,7
647 900 71	20	30	7	5,5
647 900 73	20	32	7	6,3
647 900 76	20	35	7	8,7
647 900 77	20	35	10	10,2
647 900 80	20	36	7	8,4
647 900 82	20	40	7	10,5
647 900 84	20	42	7	11,7
647 900 87	20	47	7	15,2
647 900 88	20	47	10	18,8
647 900 89	20	52	7	17,9
647 900 90	20	52	10	22,5

Product No.	d <sub>1</sub> mm	d <sub>2</sub> mm	b mm	Weight g
647 900 93	22	32	7	5,7
647 900 94	22	35	7	7,0
647 900 96	22	38	8	10,0
647 900 97	22	40	7	10,1
647 900 98	22	40	10	13,3
647 901 02	22	47	7	15,2
647 901 06	24	35	7	6,7
647 901 07	24	37	7	7,7
647 901 08	24	40	7	9,6
647 901 12	25	35	7	6,4
647 901 13	25	37	5	5,7
647 901 15	25	37	7	7,2
647 901 16	25	38	7	7,9
647 901 17	25	40	5	7,6
647 901 18	25	40	7	9,0
647 901 19	25	40	8	9,7
647 901 20	25	40	10	12,2
647 901 23	25	42	7	10,1
647 901 24	25	42	10	13,0
647 901 27	25	45	10	16,3
647 901 29	25	47	7	13,2
647 901 30	25	47	10	17,3
647 901 31	25	50	10	19,6
647 901 32	25	52	7	18,4
647 901 33	25	52	8	17,8
647 901 34	25	52	10	21,3
647 901 35	25	62	7	25,5
647 901 37	25	62	10	28,8
647 901 39	26	37	7	7,3
647 901 40	26	38	5	6,2
647 901 41	26	38	7	8,3
647 901 43	26	47	7	13,5
647 901 44	27	37	7	6,4
647 901 49	28	38	7	6,7
647 901 51	28	40	7	8,0
647 901 53	28	42	7	10,1
647 901 54	28	42	8	10,2
647 901 57	28	47	7	14,1
647 901 59	28	52	7	15,6
647 901 60	28	52	10	20,1
647 901 61	30	40	7	7,4
647 901 64	30	42	7	8,3
647 901 65	30	42	8	9,7
647 901 67	30	45	7	10,5
647 901 68	30	45	8	11,9
647 901 69	30	46	7	10,9
647 901 71	30	47	7	11,9
647 901 72	30	47	8	13,1
647 901 73	30	47	10	15,2
647 901 76	30	50	7	13,8
647 901 77	30	50	10	16,8
647 901 78	30	52	7	15,5
647 901 79	30	52	8	17,1
647 901 80	30	52	10	20,0
647 901 81	30	55	7	17,5
647 901 82	30	55	10	22,1
647 901 83	30	62	7	23,4
647 901 84	30	62	10	26,9
647 901 85	30	72	10	37,5

## Radial Shaft Seals Design A, for Shaft Diameter 32 to 50 mm

Material:: Elastomer: NBR.

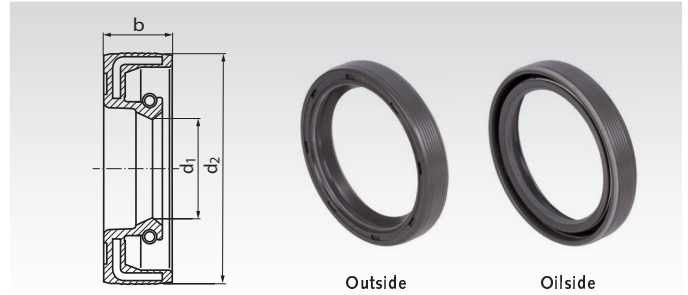
Stiffening ring and tension spring from steel.

- According to DIN 3760 Design A respectively ISO 6194-1 figure 1 and in many additional sizes.
- Most common design, with one seal lip.
- For oil- and grease-lubricated applications.
- For high speed, sliding speed up to 14m/s.

Recommended tolerances: Housing bore H8, shaft-Ø h11,

Shaft roughness  $R_a$  0.2 to 0.8  $\mu\text{m}$ .

Temperature range: -40°C to +100°C (for short time up to +120°C).



Ordering Details: e.g.: Product No. 647 901 86, Radial Shaft Seal Design A, 32x42x7mm

Product No.	d <sub>1</sub> mm	d <sub>2</sub> mm	b mm	Weight g
647 901 86	32	42	7	7,4
647 901 89	32	45	7	9,5
647 901 92	32	47	7	11,0
647 901 96	32	50	8	14,1
647 901 97	32	50	10	15,8
647 901 98	32	52	7	14,4
647 902 02	32	62	10	26,6
647 902 05	33	45	7	9,8
647 902 10	34	62	10	27,1
647 902 11	35	45	7	8,3
647 902 13	35	47	7	10,2
647 902 17	35	50	7	12,4
647 902 18	35	50	8	14,2
647 902 19	35	50	10	15,8
647 902 20	35	52	7	13,6
647 902 21	35	52	8	15,1
647 902 22	35	52	10	17,7
647 902 24	35	55	7	15,4
647 902 25	35	55	8	17,7
647 902 26	35	55	10	22,5
647 902 27	35	56	10	21,2
647 902 28	35	58	10	22,1
647 902 30	35	62	7	21,3
647 902 31	35	62	8	22,8
647 902 32	35	62	10	24,9
647 902 34	35	72	10	38,6
647 902 35	35	72	12	38,9
647 902 36	35	80	12	48,4
647 902 37	36	47	7	9,3
647 902 38	36	50	7	11,9
647 902 39	36	52	7	13,0
647 902 43	38	50	7	10,7
647 902 44	38	52	7	12,0
647 902 45	38	52	8	13,8
647 902 47	38	55	7	14,2
647 902 55	38	62	10	24,6
647 902 56	38	72	10	34,4
647 902 60	40	52	7	12,8
647 902 61	40	52	8	12,9
647 902 62	40	55	7	13,6
647 902 63	40	55	8	15,1
647 902 64	40	56	8	16,2
647 902 67	40	58	10	20,8
647 902 69	40	60	10	26,9
647 902 71	40	62	7	18,9
647 902 72	40	62	8	19,9
647 902 73	40	62	10	24,7
647 902 74	40	65	10	26,9
647 902 76	40	68	8	26,5
647 902 77	40	68	10	29,2
647 902 79	40	72	7	28,8
647 902 80	40	72	10	34,6
647 902 82	40	80	10	42,4

Product No.	d <sub>1</sub> mm	d <sub>2</sub> mm	b mm	Weight g
647 902 88	42	55	7	12,3
647 902 89	42	55	8	14,2
647 902 91	42	60	7	16,1
647 902 92	42	62	7	18,2
647 902 93	42	62	8	19,4
647 902 94	42	62	10	22,6
647 902 95	42	65	10	25,2
647 902 99	42	72	8	28,8
647 903 00	42	72	10	32,6
647 903 02	44	60	10	19,4
647 903 03	44	62	10	22,1
647 903 04	44	65	10	24,6
647 903 06	45	58	7	13,8
647 903 07	45	60	7	14,8
647 903 08	45	60	8	16,5
647 903 09	45	60	10	18,9
647 903 10	45	62	7	17,0
647 903 11	45	62	8	17,8
647 903 12	45	62	10	22,1
647 903 13	45	65	8	21,3
647 903 14	45	65	10	24,5
647 903 18	45	72	8	26,5
647 903 19	45	72	10	31,2
647 903 20	45	75	8	30,1
647 903 21	45	75	10	32,6
647 903 22	45	80	10	46,2
647 903 23	45	85	10	47,0
647 903 26	46	65	10	23,5
647 903 29	48	62	8	16,2
647 903 30	48	65	10	22,2
647 903 32	48	72	7	23,8
647 903 33	48	72	8	25,5
647 903 34	48	72	10	28,2
647 903 35	50	62	7	12,8
647 903 37	50	65	8	18,0
647 903 38	50	65	10	25,0
647 903 39	50	68	8	23,3
647 903 40	50	68	10	24,0
647 903 41	50	70	10	25,8
647 903 42	50	72	8	23,6
647 903 43	50	72	10	32,1
647 903 44	50	72	12	36,3
647 903 45	50	75	10	36,1
647 903 46	50	80	8	31,6
647 903 47	50	80	10	43,4
647 903 48	50	85	10	49,7
647 903 49	50	90	10	58,5

Other sizes and types on request.