

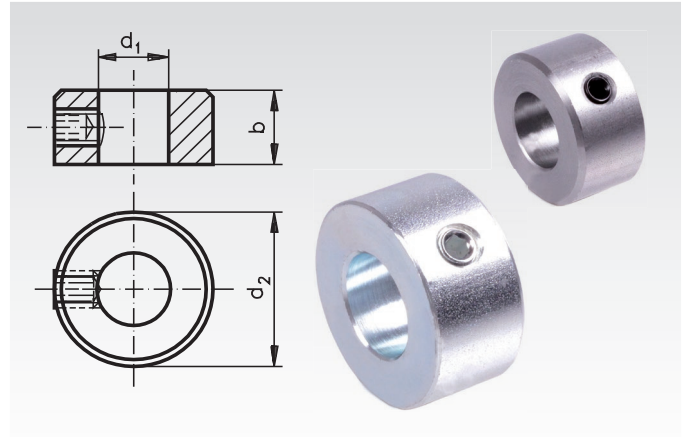
Shaft Collars with Set Screw (Adjusting Rings) According to the Old Standard DIN 703

Material: Steel, blank.
Steel, zinc-plated.

Heavy-duty series. With allen set screw made from steel / steel zinc-plated, like DIN EN ISO 4027, but strength 12.9. From size $d_1=70\text{mm}$ with 2 set screws, with offset 135° .

Blank turned and kalibrated. Bores tolerance H8. Large chamfer on one side of the outside diameter.

Temperature range: -40°C to $+175^\circ\text{C}$.



Ordering Details: e.g.: Product No. 623 220 00,
Collar DIN 703, 20 mm Bore

Product No. Steel blank	Product No. Steel zinc-plated	d_1 mm	d_2 mm	b mm	Screw mm	Weight kg p. %
623 220 00*	623 882 20*	20*	40	20	M8	14,6
623 225 00	623 882 25	25	56	22	M10	33,8
623 230 00	623 882 30	30	63	22	M10	41,5
623 235 00	623 882 35	35	70	22	M10	49,6
623 240 00	623 882 40	40	80	28	M12	82,7
623 245 00	623 882 45	45	80	28	M12	75,3
623 250 00	623 882 50	50	90	28	M12	96,3
623 255 00	623 882 55	55	90	28	M12	87,1
623 260 00	623 882 60	60	100	28	M12	110,0
623 265 00	623 882 65	65	100	28	M12	99,6
623 270 00	623 882 70	70	110	32	M16	141,0
623 275 00	623 882 75	75	110	32	M16	127,0
623 280 00	623 882 80	80	125	32	M16	181,0
623 285 00	623 882 85	85	125	32	M16	165,0
623 290 00	623 882 90	90	125	32	M16	148,0

* Size 20 is not part of the old standard DIN 703.

Other sizes and inch-sizes on request.

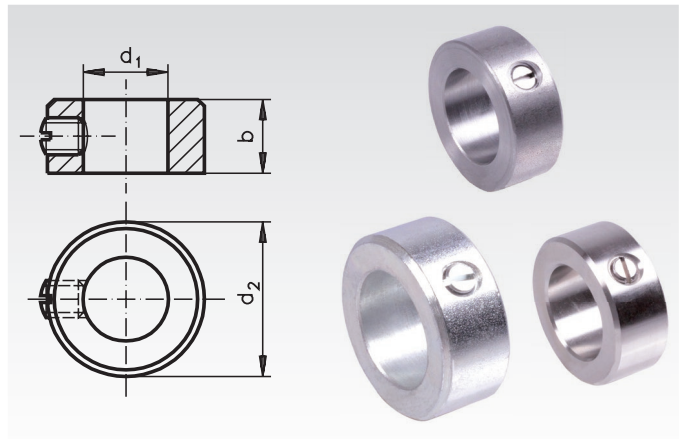
Shaft Collars with Set Screw (Adjusting Rings) DIN 705 A

Material: Steel, blank.
Steel, zinc-plated.
Stainless steel 1.4305.



Light-duty series. With set screw made from steel, steel zinc-plated or stainless steel. Up to size $d_1=70\text{mm}$ with one slotted screw, DIN EN 27434. From size $d_1=80\text{mm}$ with 2 allen screws like DIN EN ISO 4027, but strength 12.9, with offset 135° .

Blank turned and kalibrated. Bores tolerance H8.
Large chamfer on one side of the outside diameter.
Temperature range: -40°C to $+175^\circ\text{C}$.



Ordering Details: e.g.: Product No. 623 003 00,
Collar DIN 705 A, 3 mm Bore

Product No. Steel blank	Product No. Steel zinc-plated	Product No. Stainless Steel	d_1 mm	d_2 mm	b mm	Screw mm	Weight kg p. %
623 003 00	623 880 03	-	3	7	5	M2	0,123
623 004 00	623 880 04	623 990 04	4	8	5	M2,5	0,145
623 005 00	623 880 05	623 990 05	5	10	6	M3	0,280
623 006 00	623 880 06	623 990 06	6	12	8	M4	0,548
623 007 00	623 880 07	623 990 07	7	12	8	M4	0,488
623 008 00	623 880 08	623 990 08	8	16	8	M4	0,94
623 009 00*	623 880 09*	623 990 09*	9	18*	10*	M5	1,51
623 010 00	623 880 10	623 990 10	10	20	10	M5	1,85
623 012 00	623 880 12	623 990 12	12	22	12	M6	2,52
623 014 00	623 880 14	623 990 14	14	25	12	M6	3,17
623 015 00	623 880 15	623 990 15	15	25	12	M6	2,98
623 016 00	623 880 16	623 990 16	16	28	12	M6	3,84
623 018 00	623 880 18	623 990 18	18	32	14	M6	6,00
623 020 00	623 880 20	623 990 20	20	32	14	M6	5,30
623 022 00	623 880 22	623 990 22	22	36	14	M6	6,90
623 025 00	623 880 25	623 990 25	25	40	16	M8	9,56
623 030 00	623 880 30	623 990 30	30	45	16	M8	11,1
623 035 00	623 880 35	623 990 35	35	56	16	M8	18,7
623 040 00	623 880 40	623 990 40	40	63	18	M10	26,1
623 045 00	623 880 45	623 990 45	45	70	18	M10	31,7
623 050 00	623 880 50	623 990 50	50	80	18	M10	42,9
623 055 00	623 880 55	-	55	80	18	M10	37,3
623 060 00	623 880 60	-	60	90	20	M10	55,2
623 065 00	623 880 65	-	65	100	20	M10	70,8
623 070 00	623 880 70	-	70	100	20	M10	62,6
623 080 00	623 880 80	-	80	110	22	M12	76,8
623 090 00	623 880 90	-	90	125	22	M12	101,0
623 100 00	623 881 00	-	100	140	25	M12	147,0

* At size 9, the outer dimensions are not like DIN 705.

Other sizes and inch-sizes on request.

Shaft Collars, Clamp Collars Single-Split

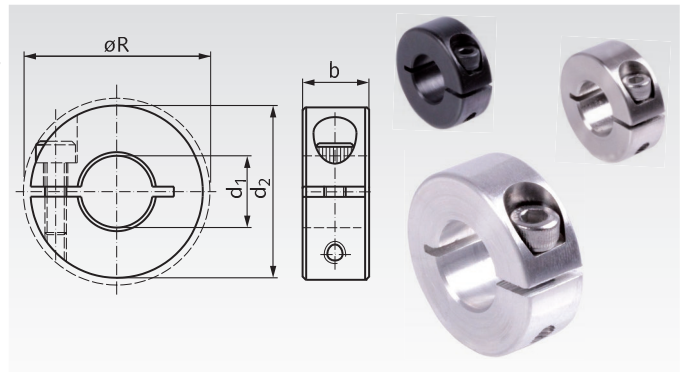
Material: Steel C45 burnished. Screw steel 12.9.
Stainless steel 1.4301. Screw stainless steel A2-70.
Aluminium. Screw stainless steel A2-70.



Features: does not damage the shaft, stronger clamping force than with set collars, even distribution of clamping forces, easy readjustment, precision honed bores.
The threads of the screws DIN 912 are covered with a layer of nylon.

Tolerance b: +0.08 mm
-0.25 mm

Temperature range: -40°C to +175°C.



Ordering Details: e.g.: Product No. 623 103 00, Clamp Collar, 3 mm Bore

Product No. Steel	Product No. Stainless Steel	Product No. Aluminium	d_1 mm	d_2 mm	R mm	b mm	Screw DIN 912	Weight Steel g	Weight Alum. g
623 103 00	623 991 03	623 661 03	3	16	20,7	9	M3 x 8	11	4
623 104 00	623 991 04	623 661 04	4	16	20,7	9	M3 x 8	11	4
623 105 00	623 991 05	623 661 05	5	16	20,7	9	M3 x 8	10	4
623 106 00	623 991 06	623 661 06	6	16	20,7	9	M3 x 8	10	4
623 107 00	623 991 07	623 661 07	7	18	22,4	9	M3 x 8	13	5
623 108 00	623 991 08	623 661 08	8	18	22,4	9	M3 x 8	12	5
623 109 00	623 991 09	623 661 09	9	24	26	9	M3 x 8	23	8
623 110 00	623 991 10	623 661 10	10	24	26	9	M3 x 8	22	8
623 111 00	623 991 11	623 661 11	11	28	31,8	11	M4 x 12	39	14
623 112 00	623 991 12	623 661 12	12	28	31,8	11	M4 x 12	38	13
623 113 00	623 991 13	623 661 13	13	30	33,9	11	M4 x 12	43	15
623 114 00	623 991 14	623 661 14	14	30	33,9	11	M4 x 12	42	15
623 115 00	623 991 15	623 661 15	15	34	39,4	13	M5 x 14	65	23
623 116 00	623 991 16	623 661 16	16	34	39,4	13	M5 x 14	63	22
623 117 00	623 991 17	623 661 17	17	36	41,2	13	M5 x 14	72	25
623 118 00	623 991 18	623 661 18	18	36	41,2	13	M5 x 14	69	24
623 119 00	623 991 19	623 661 19	19	40	46,4	15	M6 x 16	100	35
623 120 00	623 991 20	623 661 20	20	40	46,4	15	M6 x 16	97	34
623 121 00	623 991 21	623 661 21	21	42	48,1	15	M6 x 16	107	37
623 122 00	623 991 22	623 661 22	22	42	48,1	15	M6 x 16	103	36
623 123 00	623 991 23	623 661 23	23	45	50,8	15	M6 x 16	122	42
623 124 00	623 991 24	623 661 24	24	45	50,8	15	M6 x 16	117	40
623 125 00	623 991 25	623 661 25	25	45	50,8	15	M6 x 16	114	40
623 126 00	623 991 26	623 661 26	26	48	53,7	15	M6 x 18	133	46
623 128 00	623 991 28	623 661 28	28	48	53,7	15	M6 x 18	123	43
623 130 00	623 991 30	623 661 30	30	54	58,6	15	M6 x 18	163	56
623 132 00	623 991 32	623 661 32	32	54	58,6	15	M6 x 18	156	54
623 134 00	623 991 34	623 661 34	34	57	61,6	15	M6 x 18	174	60
623 135 00	623 991 35	623 661 35	35	57	61,6	15	M6 x 18	171	59
623 136 00	623 991 36	623 661 36	36	57	61,6	15	M6 x 18	163	56
623 138 00	623 991 38	623 661 38	38	60	65	15	M6 x 18	178	61
623 140 00	623 991 40	623 661 40	40	60	65	15	M6 x 18	163	56
623 142 00	623 991 42	623 661 42	42	73	79,4	19	M8 x 25	367	127
623 145 00	623 991 45	623 661 45	45	73	79,4	19	M8 x 25	344	119
623 148 00	623 991 48	623 661 48	48	78	84,2	19	M8 x 25	392	135
623 150 00	623 991 50	623 661 50	50	78	84,2	19	M8 x 25	370	128
623 155 00	623 991 55	–	55	82	88,8	19	M8 x 25	380	–
623 160 00	623 991 60	–	60	88	94,0	19	M8 x 25	425	–
623 165 00	623 991 65	–	65	93	99,8	19	M8 x 25	450	–
623 170 00	623 991 70	–	70	98	104,5	19	M8 x 25	480	–
623 175 00	623 991 75	–	75	103	109,1	19	M8 x 25	510	–
623 180 00	623 991 80	–	80	108	113,8	19	M8 x 25	535	–

Remarks to collars from steel

The black oxide on the clamping collars is formulated as part of the total performance of the product. It enhances the holding ability of the collar, it efficiently reduces slipping on the shaft,

has anti-stick-slip characteristics and helps to keep the torque rating of the screw within its designed parameters. The oxide layer also provides corrosion protection.

Shaft Collars, Clamp Collars Double-Split

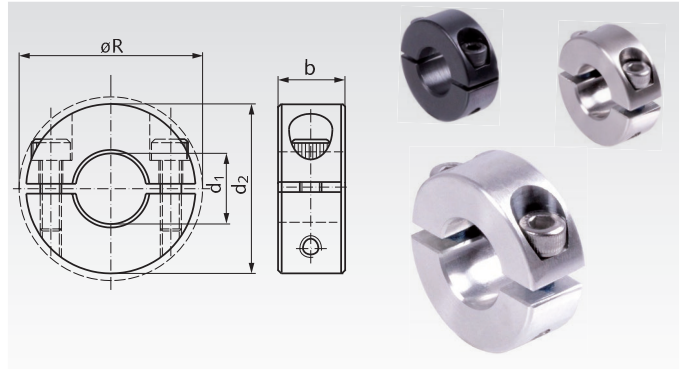
Material: Steel C45 burnished. Screws steel 12.9.
Stainless steel 1.4301. Screws stainless steel A2-70.
Aluminium. Screws stainless steel A2-70.

STAINLESS

Features: does not damage the shaft, stronger clamping force than with set collars, even distribution of clamping forces, easy readjustment, precision honed bores.
The threads of the screws DIN 912 are covered with a layer of nylon.

Tolerance b: +0.08 mm
-0.25 mm

Temperature range: -40°C to +175°C.



Ordering Details: e.g.: Product No. 623 403 00, Double-split Clamp Collar, 3 mm Bore

Product No. Steel	Product No. Stainless Steel	Product No. Aluminium	d_1 mm	d_2 mm	R mm	b mm	Screws DIN 912	Weight Steel g	Weight Alum. g
623 403 00	623 994 03	623 664 03	3	16	20,7	9	M3 x 8	12	4
623 404 00	623 994 04	623 664 04	4	16	20,7	9	M3 x 8	11	4
623 405 00	623 994 05	623 664 05	5	16	20,7	9	M3 x 8	11	4
623 406 00	623 994 06	623 664 06	6	16	20,7	9	M3 x 8	10	3
623 407 00	623 994 07	623 664 07	7	18	22,4	9	M3 x 8	13	4
623 408 00	623 994 08	623 664 08	8	18	22,4	9	M3 x 8	12	4
623 409 00	623 994 09	623 664 09	9	24	26	9	M3 x 8	25	9
623 410 00	623 994 10	623 664 10	10	24	26	9	M3 x 8	24	8
623 411 00	623 994 11	623 664 11	11	28	31,8	11	M4 x 12	40	14
623 412 00	623 994 12	623 664 12	12	28	31,8	11	M4 x 12	39	13
623 413 00	623 994 13	623 664 13	13	30	33,9	11	M4 x 12	45	16
623 414 00	623 994 14	623 664 14	14	30	33,9	11	M4 x 12	43	15
623 415 00	623 994 15	623 664 15	15	34	39,4	13	M5 x 14	68	23
623 416 00	623 994 16	623 664 16	16	34	39,4	13	M5 x 14	65	22
623 417 00	623 994 17	623 664 17	17	36	41,2	13	M5 x 14	74	26
623 418 00	623 994 18	623 664 18	18	36	41,2	13	M5 x 14	71	24
623 419 00	623 994 19	623 664 19	19	40	46,4	15	M6 x 16	104	36
623 420 00	623 994 20	623 664 20	20	40	46,4	15	M6 x 16	101	35
623 421 00	623 994 21	623 664 21	21	42	48,1	15	M6 x 16	113	39
623 422 00	623 994 22	623 664 22	22	42	48,1	15	M6 x 16	107	37
623 423 00	623 994 23	623 664 23	23	45	50,8	15	M6 x 16	127	44
623 424 00	623 994 24	623 664 24	24	45	50,8	15	M6 x 16	122	42
623 425 00	623 994 25	623 664 25	25	45	50,8	15	M6 x 16	120	41
623 426 00	623 994 26	623 664 26	26	48	53,7	15	M6 x 18	139	48
623 428 00	623 994 28	623 664 28	28	48	53,7	15	M6 x 18	128	44
623 430 00	623 994 30	623 664 30	30	54	58,6	15	M6 x 18	171	59
623 432 00	623 994 32	623 664 32	32	54	58,6	15	M6 x 18	161	56
623 434 00	623 994 34	623 664 34	34	57	61,6	15	M6 x 18	181	62
623 435 00	623 994 35	623 664 35	35	57	61,6	15	M6 x 18	172	60
623 436 00	623 994 36	623 664 36	36	57	61,6	15	M6 x 18	169	59
623 438 00	623 994 38	623 664 38	38	60	65	15	M6 x 18	183	63
623 440 00	623 994 40	623 664 40	40	60	65	15	M6 x 18	172	59
623 442 00	623 994 42	623 664 42	42	73	79,4	19	M8 x 25	383	132
623 445 00	623 994 45	623 664 45	45	73	79,4	19	M8 x 25	360	124
623 448 00	623 994 48	623 664 48	48	78	84,2	19	M8 x 25	414	143
623 450 00	623 994 50	623 664 50	50	78	84,2	19	M8 x 25	386	133
623 455 00	623 994 55	—	55	82	88,8	19	M8 x 25	395	—
623 460 00	623 994 60	—	60	88	94,0	19	M8 x 25	440	—
623 465 00	623 994 65	—	65	93	99,8	19	M8 x 25	465	—
623 470 00	623 994 70	—	70	98	104,5	19	M8 x 25	495	—
623 475 00	623 994 75	—	75	103	109,1	19	M8 x 25	525	—
623 480 00	623 994 80	—	80	108	113,8	19	M8 x 25	550	—

Remarks to collars from steel

The black oxide on the clamping collars is formulated as part of the total performance of the product. It enhances the holding ability of the collar, it efficiently reduces slipping on the shaft,

has anti-stick-slip characteristics and helps to keep the torque rating of the screw within its designed parameters. The oxide layer also provides corrosion protection.

Shaft Collars, Clamp Collars Double Wide, Single-Split

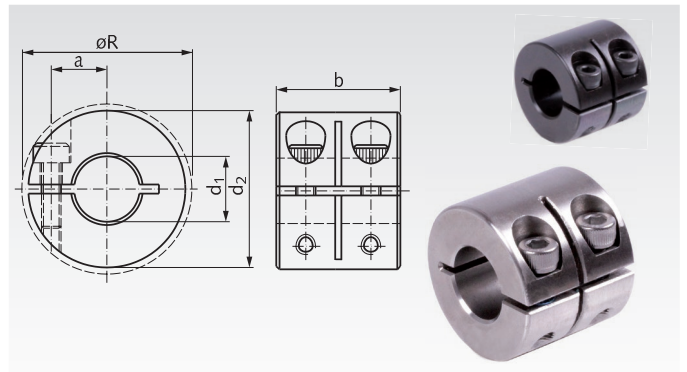
Material: Steel C45 burnished, screws steel 12.9.
Stainless steel 1.4301,
screws stainless steel A2-70.



Features: does not damage the shaft, stronger clamping force than with set collars, even distribution of clamping forces, easy readjustment, precision honed bores.
The threads of the screws DIN 912 are covered with a layer of nylon.

Tolerance b: +0.08 mm
-0.25 mm

Temperature range: -40°C to +175°C.



Ordering Details: e.g.: Product No. 624 106 00, Clamp Collar, 6mm

Product No. Steel	Product No. Stainless Steel	d_1 mm	d_2 mm	R mm	b mm	a mm	Screw DIN 912	Tightening Torque		Weight g
								Steel Nm	Stainless steel Nm	
624 106 00	624 991 06	6 ^{+0,05}	16	20,1	20	5,2	M3 x 8	2,1	1,1	20
624 108 00	624 991 08	8 ^{+0,07}	18	21,3	20	6,0	M3 x 8	2,1	1,1	24
624 110 00	624 991 10	10 ^{+0,07}	24	25,6	20	8,5	M3 x 8	2,1	1,1	48
624 112 00	624 991 12	12 ^{+0,07}	28	31,7	24	10,0	M4 x 12	4,6	2,5	78
624 116 00	624 991 16	16 ^{+0,07}	34	38,5	29	12,0	M5 x 14	9,5	5,4	130
624 120 00	624 991 20	20 ^{+0,07}	40	46,3	33	14,5	M6 x 16	16	9,6	202
624 125 00	624 991 25	25 ^{+0,07}	45	50,6	33	17,0	M6 x 16	16	9,6	240
624 130 00	624 991 30	30 ^{+0,12}	54	58,6	33	21,5	M6 x 18	16	9,6	342
624 140 00	624 991 40	40 ^{+0,12}	60	65,0	33	25,0	M6 x 18	16	9,6	344
624 150 00	624 991 50	50 ^{+0,12}	78	84,2	41	32,0	M8 x 25	17	13,6	772

Shaft Collars, Clamp Collars Double Wide, Double-Split

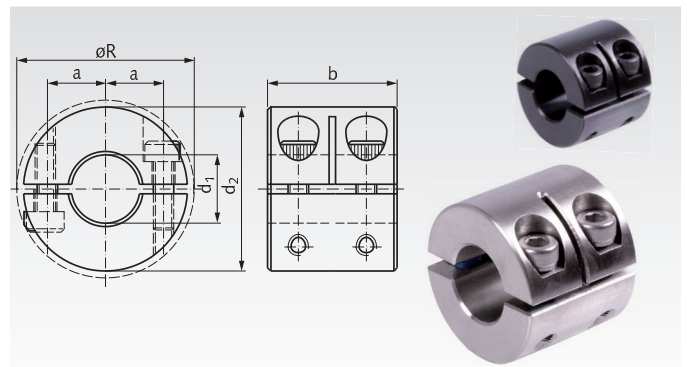
Material: Steel C45 burnished, screws steel 12.9.
Stainless steel 1.4301,
screws stainless steel A2-70.



Features: does not damage the shaft, stronger clamping force than with set collars, even distribution of clamping forces, easy readjustment, precision honed bores.
The threads of the screws DIN 912 are covered with a layer of nylon.

Tolerance b: +0.08 mm
-0.25 mm

Temperature range: -40°C to +175°C.



Ordering Details: e.g.: Product No. 624 406 00, Clamp Collar, 6mm

Product-No. Steel	Product-No. Stainless Steel	d_1 mm	d_2 mm	R mm	b mm	a mm	Screw DIN 912	Tightening Torque		Weight g
								Steel Nm	Stainless steel Nm	
624 406 00	624 994 06	6 ^{+0,05}	16	20,1	20	5,2	M3 x 8	2,1	1,1	20
624 408 00	624 994 08	8 ^{+0,07}	18	21,3	20	6,0	M3 x 8	2,1	1,1	24
624 410 00	624 994 10	10 ^{+0,07}	24	25,6	20	8,5	M3 x 8	2,1	1,1	44
624 412 00	624 994 12	12 ^{+0,07}	28	31,7	24	10,0	M4 x 12	4,6	2,5	76
624 416 00	624 994 16	16 ^{+0,07}	34	38,5	29	12,0	M5 x 14	9,5	5,4	126
624 420 00	624 994 20	20 ^{+0,07}	40	46,3	33	14,5	M6 x 16	16	9,6	194
624 425 00	624 994 25	25 ^{+0,07}	45	50,6	33	17,0	M6 x 16	16	9,6	228
624 430 00	624 994 30	30 ^{+0,12}	54	58,6	33	21,5	M6 x 18	16	9,6	326
624 440 00	624 994 40	40 ^{+0,12}	60	65,0	33	25,0	M6 x 18	16	9,6	326
624 450 00	624 994 50	50 ^{+0,12}	78	84,2	41	32,0	M8 x 25	17	13,6	740

Remarks to collars from steel

The black oxide on the clamping collars is formulated as part of the total performance of the product. It enhances the holding ability of the collar, it efficiently reduces slipping on the shaft,

has anti-stick-slip characteristics and helps to keep the torque rating of the screw within its designed parameters. The oxide layer also provides corrosion protection.

Shaft Collars, Clamp Collars with Thread

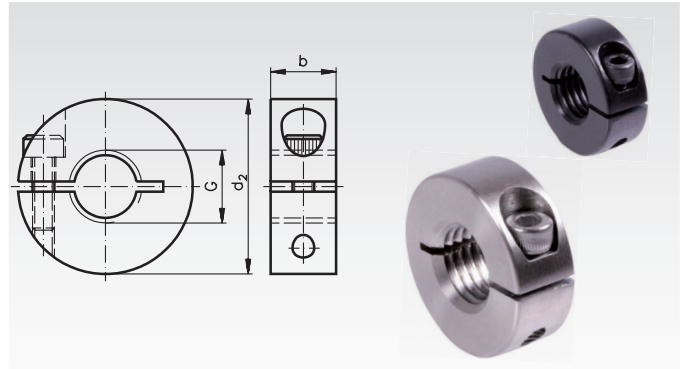
Material: Steel C45 burnished, screws steel 12.9.
Stainless steel 1.4301,
screws stainless steel A2-70.



The threads of the screws DIN 912 are covered with a layer of nylon.

Max. speed: 4,000 min⁻¹.

Temperature range: -40°C to +175°C.



Ordering Details: e.g.: Product No. 623 604 00, Clamp Collar, M4 Thread

Product No. Steel	Product No. Stainless Steel	Thread G	pitch	d ₂ mm	b mm	Screw DIN 912	Weight g
623 604 00	623 996 04	M4	0.7	16	9	M3 x 8	10
623 605 00	623 996 05	M5	0.8	16	9	M3 x 8	11
623 606 00	623 996 06	M6	1.0	16	9	M3 x 8	11
623 608 00	623 996 08	M8	1,25	18	9	M3 x 8	12
623 610 00	623 996 10	M10	1.5	24	9	M3 x 8	22
623 612 00	623 996 12	M12	1,75	28	11	M4 x 12	39
623 616 00	623 996 16	M16	2.0	34	13	M5 x 14	63
623 620 00	623 996 20	M20	2.5	40	15	M6 x 16	97
623 624 00	623 996 24	M24	3.0	45	15	M6 x 16	117
623 630 00	623 996 30	M30	3.5	54	15	M6 x 18	163

* Metric ISO-standard thread (column 1).