

Handwheels Stainless Steel

Material: Wheel body: Stainless steel plate 1.4301.
Hub: Welded on, matt blasted.
At version B: Handle Duroplast PF31, black, glossy finish. Spindle: Stainless steel 1.4305.

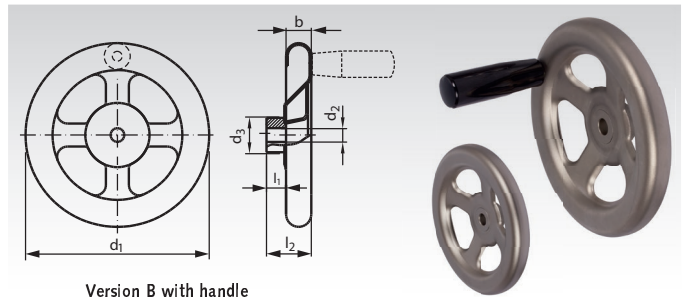


Hub lengths comply with DIN 950. High mechanical strength, insensitive to blows and impacts.

Version A: Without cylindrical handle.

Version B: With revolving cylindrical handle.

Keyway available at extra charge.



Version B with handle

Ordering Details: e.g.: Product No. 670 999 16, Handwheel, Diameter 160 mm

Product No. Version A	Product No. Version B	d ₁ mm	d ₂ ^{H9} mm	b mm	d ₃ mm	l ₁ mm	l ₂ mm	Cyl. Grip-Ø mm	Grip-length mm	No. of spokes pcs.	Sheet gauge mm	Weight Vers. A g	Weight Vers. B g
670 999 16	670 994 16	160	12	22	30	20	39	26	83	4	2	430	540
670 999 20	670 994 20	200	14	22	40	24	44	26	83	4	2,5	824	935
670 999 25	670 994 25	250	17	30	45	28	52	28	93	5	3	1477	1600
670 999 32	670 994 32	315	19	36	55	33	64	28	93	5	3	2330	2400
670 999 40	670 994 40	400	24	43	65	38	81	28	93	5	3	4210	4300

Handwheels Stainless Steel, Solid Version

Material: Wheel body: Cast stainless steel 1.4308.
Rim turned, matt blasted.
At version B: Handle Duroplast PF31, black, glossy finish. Spindle: Stainless steel 1.4305.

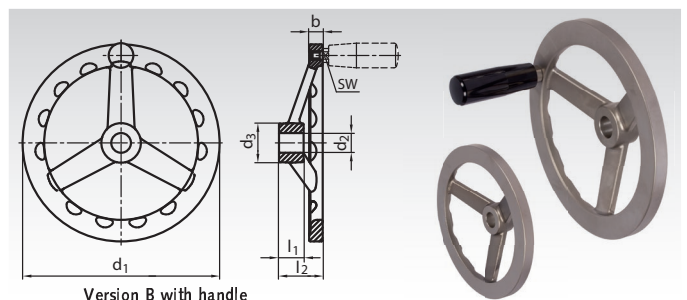


Version A: Without cylindrical handle.

Version B: With revolving cylindrical handle.

Easy to clean.

Keyway available at extra charge.



Version B with handle

Ordering Details: e.g.: Product No. 670 995 10, Handwheel, Diameter 100 mm

Product No. Version A	Product No. Version B	d ₁ mm	d ₂ ^{H8} mm	b mm	d ₃ mm	l ₁ mm	l ₂ mm	Cyl. Grip-Ø mm	Grip-length mm	No. of spokes pcs.	sw mm	Weight Vers. A g	Weight Vers. B g
670 995 10	670 996 10	100	10	7	20	15	27,5	18	45	3	9	222	255
670 995 12	670 996 12	125	12	9	24	16	28,5	21	55	3	9	425	460
670 995 14	670 996 14	140	14	10	28	18	30,5	23	71	3	11	640	800
670 995 16	670 996 16	160	16	11	31	20	35,5	23	71	3	11	805	900
670 995 20	670 996 20	200	18	14	36	23	39	23	71	3	11	1442	1524
670 995 22	670 996 22	200	20	14	36	23	39	23	71	3	11	1400	1482

Handwheels Stainless Steel, Solid Version, similar to DIN 950

Material: Wheel body: Cast stainless steel 1.4401.
Rim turned and polished.
At version B: Handle stainless steel 1.4404.

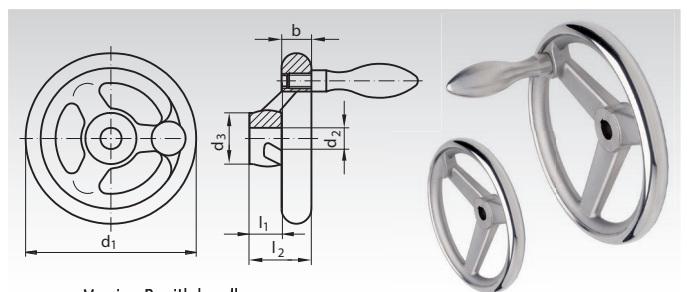


Version A: Without handle.

Version B: With fixed handle.

Acid-resistant A4-quality. Easy to clean.
Dimensions almost according to DIN 950.

Keyway available at extra charge.



Version B with handle

Ordering Details: e.g.: Product No. 670 997 10, Handwheel DIN 950, stainless steel, Version A, 100 mm

Product No. Version A	Product No. Version B	d ₁ mm	d ₂ ^{H9} mm	b mm	d ₃ mm	l ₁ mm	l ₂ mm	Cyl. Grip-Ø mm	Grip-length mm	No. of spokes pcs.	Weight Vers. A g	Weight Vers. B g
670 997 10	670 998 10	100	10	14,5	25,5	17	33	16	50	3	433	480
670 997 12	670 998 12	125	12	15,8	27	18	35,5	20	64	3	659	770
670 997 14	670 998 14	140	14	17	29	19	38,5	20	64	3	865	940
670 997 16	670 998 16	160	14	17,5	31	20	39,5	25	80	3	1156	1320
670 997 20	670 998 20	200	18	20	37	24	44,5	25	80	3	1938	2060

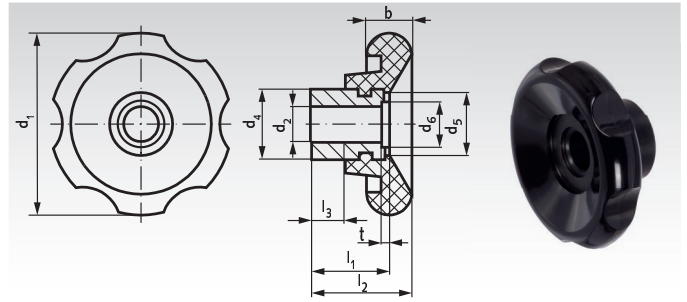
Handwheels 527.1 with Peripheral Grooves

Material: Plastic Thermoplast (PA) reinforced, black, gloss finish.
Hub: Steel, burnished.

With steel hubs of large dimension. For applications requiring a large contact surface or a large diameter bore.

Temperature resistant up to +120°C.

Keyway available at extra charge.



Ordering Details: e.g.: Product No. 675 052 01, Handwheel 527.1, 50mm

Product No.	d ₁ mm	d ₂ ^{H7} mm	d ₄ mm	d ₅ mm	d ₆ mm	t mm	b mm	l _{1-0.5} mm	l ₂ mm	l ₃ mm	Weight g
675 052 01	50	10	20	18	-	-	13	21	29	10	60
675 062 01	60	12	25	24	-	-	16	23	30	11	110
675 070 01	70	14	30	29	21,4	1,5	18	25	33	12	160
675 083 01	80	16	35	34	21,4	1,5	19	30	40	15	255

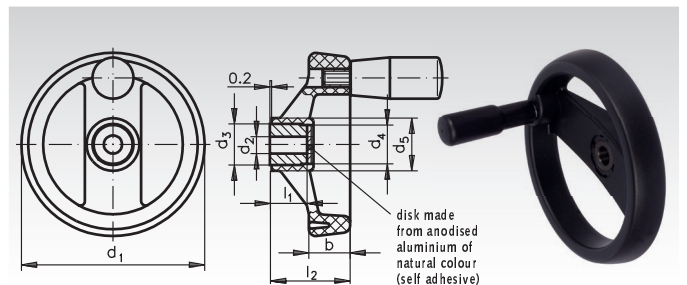
Spoked Handwheels 522 Made from Plastic with Revolving Cylindrical Handle

Material: Plastic Thermoplast reinforced, impact-proof, black, matt finish. Hub bush: Steel burnished.

Brass threaded bush for screwing in the cylindrical grip.
Revolving cylindrical handle: Plastic, black.

Perfect and flawless surface and excellent concentricity.

Keyway available at extra charge.



Ordering Details: e.g.: Product No. 675 708 00, Spoked Handwheel 522, 80 mm

Product No.	d ₁ mm	d ₂ ^{H7} mm	d ₃ mm	d ₄ mm	d ₅ mm	b mm	l ₁ mm	l ₂ mm	Cyl. Grip Ø mm	Weight g
675 708 00	80	8	18	17	23	18	17	35	18	106
675 710 00	100	10	18	17	25	20	17	37	22	150
675 712 00	125	12	22	21	31	22	22	44	23	248
675 716 00	160	14	26	25	40	25	27	51	23	379
675 720 00	200	20	30	31	50	28	34	61	26	561
675 725 00	250	20	35	34	59	32	38	70	28	880

Retractable-Handle Handwheels 5223

Material: Thermoplast reinforced, impact-proof, black, matt finish.

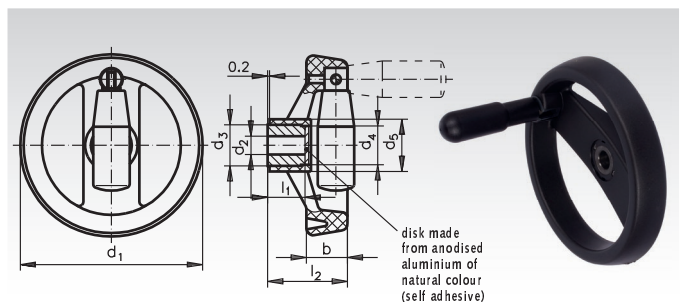
Hub bush: Steel burnished.

Folding system: Steel burnished.

Retractable handle: Plastic black.

Use: When the handle must not stick out. The handle is firmly locked in a slim taper in the operating position. To retract the handle, it is pulled out of its taper seat and then tilted. A compression spring locks the handle in both end positions. When folding the handle away, it automatically locks in position.

Keyway available at extra charge.



Ordering Details: e.g.: Product No. 675 508 00, Retractable-Handle Handwheel 5223, 80 mm

Product No.	d ₁ mm	d ₂ ^{H7} mm	d ₃ mm	d ₄ mm	d ₅ mm	b mm	l ₁ mm	l ₂ mm	Retr. Handle Ø/mm	Weight g
675 508 00	80	10	18	17	23	18	17	35	21	70
675 510 00	100	12	18	17	25	20	17	37	22	165
675 512 00	125	12	22	21	31	22	22	44	23	240
675 516 00	160	14	26	25	40	25	27	51	23	400
675 520 00	200	20	30	31	50	28	34	61	26	585
675 525 00	250	20	35	34	59	32	38	70	28	950



**Reworking within
24h-service possible.
Custom made parts
on request.**

Spoked Handwheels DIN 950 with Smooth Rim and Slanted Spokes

Material: Grey cast iron.

Number of spokes:

3 spokes for sizes: up to Ø 200.

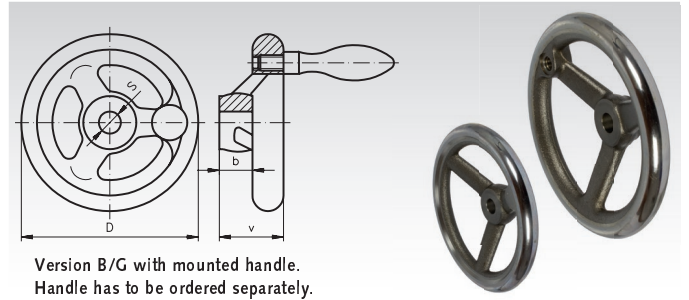
5 spokes for sizes: from Ø 225.

Version B/A = Rim turned and polished. Hub surfaces machined. Bores H7.

Version B/G = As vers. B/A, but with threaded lug for handle.

Keyway available at extra charge.

Ordering Details: e.g.: 672 408 00, Spoked Handwheel DIN 950, B/G, 80 mm
(Matching handle DIN 39, Product No. 662 116 00 or DIN 98, Product No. 663 116 00)



Version B/G with mounted handle.
Handle has to be ordered separately.

Product No. Vers. B/A	Product No. Vers. B/G	Rim Ø D mm	Bore SH7 mm	Hub- Ø mm	Hub- Length B mm	Overall Height V mm	Weight kg	Product No. Matching Handle Steel	
								Fixed DIN 39	Revolving DIN 98
672 208 00	672 408 00	80	10	24	16	29	0,45	662 116 00	663 116 00
672 210 00	672 410 00	100	10	26	17	33	0,56	662 116 00	663 116 00
672 212 00	672 412 00	125	12	28	18	36	0,85	662 120 00	663 120 00
672 214 00	672 414 00	140	14	30	19	39	1,10	662 120 00	663 120 00
672 216 00	672 416 00	160	14	32	20	40	1,35	662 125 00	663 125 00
672 218 00	672 418 00	180	16	35	22	43	1,80	662 125 00	663 125 00
672 220 00	672 420 00	200	18	38	24	45	2,30	662 125 00	663 125 00
672 222 00	672 422 00	225	20	42	26	48	3,30	662 125 00	663 125 00
672 225 00	672 425 00	250	22	45	28	50	4,20	662 132 00	663 132 00
672 228 00	672 428 00	280	24	50	30	53	5,20	662 132 00	663 132 00
672 231 00	672 431 00	315	26	53	33	56	6,50	662 132 00	663 132 00
672 236 00	672 436 00	360	28	60	35	59	8,90	662 136 00	663 136 00
672 240 00	672 440 00	400	30	65	38	63	11,20	662 136 00	663 136 00

Handles page 548.

Spoked Handwheels DIN 950 with Smooth Rim and Slanted Spokes, with Square Hole

Material: Grey cast iron.

Number of spokes:

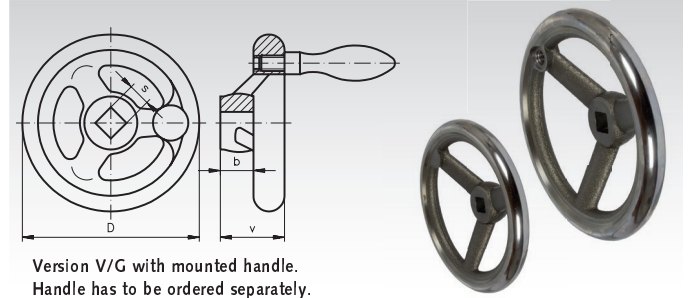
3 spokes for sizes: up to Ø 200.

5 spokes for sizes: from Ø 225.

Version V/A = Rim turned and polished. Hub surface machined, square hole reamed true to gauge

Version V/G = As version V/A, but with threaded lug for handle.

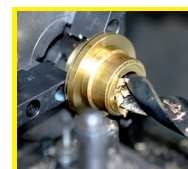
Ordering Details: e.g.: 673 408 00, Spoked Handwheel DIN 950, V/G, 80 mm
(Matching Handle DIN 39, Product No. 662 116 00 or DIN 98, Product No. 663 116 00)



Version V/G with mounted handle.
Handle has to be ordered separately.

Product No. Vers. V/A	Product No. Vers. V/G	Rim-Ø D mm	Square Hole mm	Hub Ø mm	Hub Length b mm	Overall Height V mm	Weight kg	Product No. Matching Handle Steel	
								Fixed DIN 39	Revolving DIN 98
673 208 00	673 408 00	80	9	24	16	29	0,45	662 116 00	663 116 00
673 210 00	673 410 00	100	10	26	17	33	0,56	662 116 00	663 116 00
673 212 00	673 412 00	125	11	28	18	36	0,85	662 120 00	663 120 00
673 214 00	673 414 00	140	12	30	19	39	1,10	662 120 00	663 120 00
673 216 00	673 416 00	160	14	32	20	40	1,35	662 125 00	663 125 00
673 218 00	673 418 00	180	14	35	22	43	1,80	662 125 00	663 125 00
673 220 00	673 420 00	200	17	38	24	45	2,30	662 125 00	663 125 00
673 222 00	673 422 00	225	19	42	26	48	3,30	662 125 00	663 125 00
673 225 00	673 425 00	250	22	45	28	50	4,20	662 132 00	663 132 00
673 231 00	673 431 00	315	27	53	33	56	6,50	662 132 00	663 132 00
673 240 00	673 440 00	400	32	65	38	63	11,20	662 136 00	663 136 00

Handles page 548.



**Reworking within
24h-service possible.
Custom made parts
on request.**

Spoked Handwheels DIN 950 AL with Smooth Rim and Slanted Spokes

Material: Aluminium.

Number of spokes:

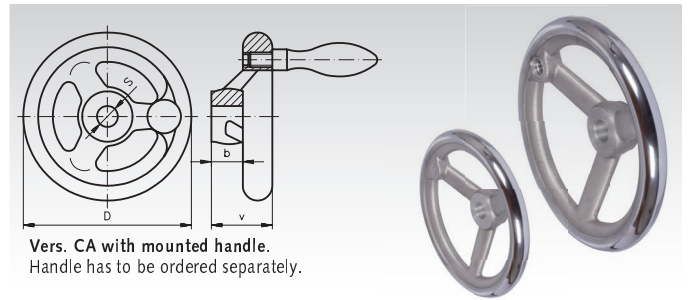
3 spokes for sizes up to Ø 200 mm.

5 spokes for sizes from Ø 225 mm.

Version C = wheel rim ground and high-gloss finish.

Version CA = as Version C, but with threaded lug for handle.

Keyway available at extra charge.



Vers. CA with mounted handle.
Handle has to be ordered separately.

Ordering Details: e.g.: Product No. 670 008 00, Spoked Handwheel DIN 950 Al, Vers. C, 80 mm

Product No. Vers. C	Product No. Vers. CA	D mm	SH7 mm	Hub-Ø mm	b mm	v mm	Weight kg	Matching Handle AL	
								Fixed DIN 39	Revolving DIN 98
670 008 00	670 108 00	80	10	26	16	29	0,15	662 316 00	663 316 00
670 010 00	670 110 00	100	12	28	17	33	0,19	662 316 00	663 316 00
670 012 00	670 112 00	125	13	30	18	36	0,29	662 320 00	663 320 00
670 014 00	670 114 00	140	14	32	19	39	0,36	662 320 00	663 320 00
670 016 00	670 116 00	160	15	34	20	40	0,52	662 325 00	663 325 00
670 018 00	670 118 00	180	16	37	22	43	0,70	662 325 00	663 325 00
670 020 00	670 120 00	200	18	40	24	45	0,89	662 325 00	663 325 00
670 022 00	670 122 00	225	20	44	26	48	1,20	662 325 00	663 325 00
670 025 00	670 125 00	250	22	48	28	50	1,60	662 332 00	663 332 00
670 028 00	670 128 00	280	24	53	30	53	2,00	662 332 00	663 332 00
670 032 00	670 132 00	315	26	56	33	56	2,46	662 332 00	663 332 00

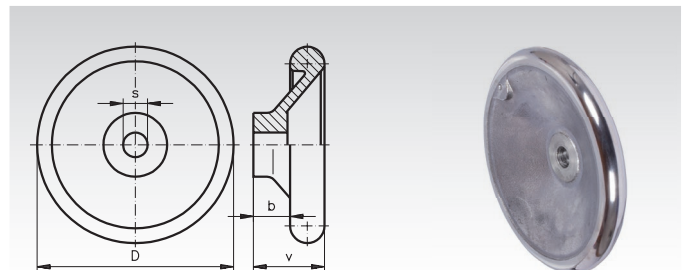
Handles page 548.

Solid-Disk Handwheels, Similar DIN 950 AL

Material: Aluminium.

Version C = rim of wheel ground and with high-gloss finish.

Keyway available at extra charge.



Ordering Details: e.g.: Product No. 670 308 00, Solid-Disk Handwheel DIN 950 Al, Version C, 80 mm

Product No. Vers. C	D mm	SH7 mm	Hub-Ø mm	b mm	v mm	Weight kg
670 308 00	80	10	24	16	29	0,15
670 310 00	100	12	26	17	33	0,26
670 312 00	120	13	28	18	36	0,35
670 314 00	140	14	30	19	39	0,46
670 316 00	160	15	32	20	40	0,72
670 318 00	180	16	35	22	43	0,95
670 320 00	200	18	38	24	45	1,20
670 322 00	225	20	42	26	48	1,60
670 325 00	250	22	45	28	50	2,00
670 328 00	280	24	50	30	53	2,40
670 332 00	315	26	53	33	56	3,50

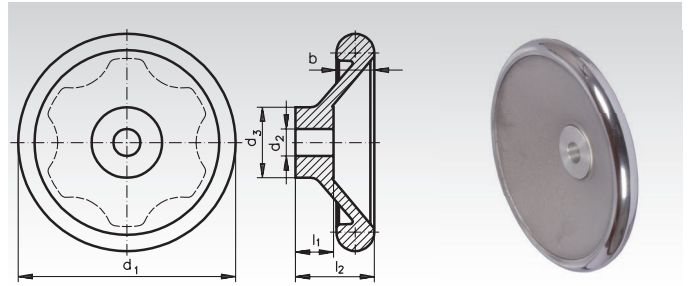


**Reworking within
24h-service possible.
Custom made parts
on request.**

Solid-Disk Handwheels DIN 3670 with Recessed Grips

Material: Aluminium, hub machined, rim turned and polished.
Without Handle.

Keyway available at extra charge.



Ordering Details: e.g.: Product No. 670 412 00, Solid-Disk Handwheel DIN 3670, 125 mm

Product No.	d ₁ mm	d ₂ ^{H7} mm	d ₃ mm	b mm	l ₁ mm	l ₂ mm	Weight g
670 412 00	125	12	31	16	18	36	306
670 416 00	160	14	36	18	20	40	514
670 420 00	200	18	42	22	24	45	943
670 425 00	250	22	48	26	28	50	1608

Solid-Disk Handwheels 323

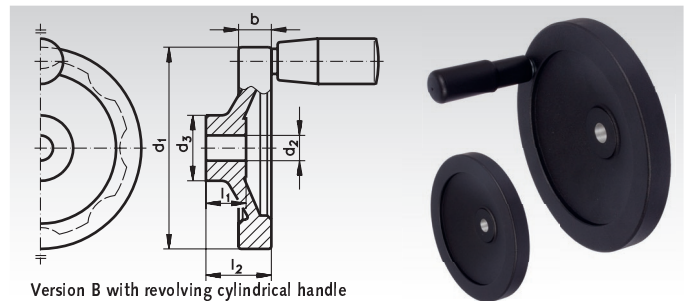
Material: Aluminium gravity die-cast, plastic coated, black, textured finish.

Hub machined. Rim turned on all sides. The rim is machined before coating, thus it is perfectly concentric.

Version A: Without cylindrical handle.

Version B: With revolving cylindrical handle.

Keyway available at extra charge.



Ordering Details: e.g.: Product No. 670 901 00, Solid-Disk Handwheel 323, 80 mm

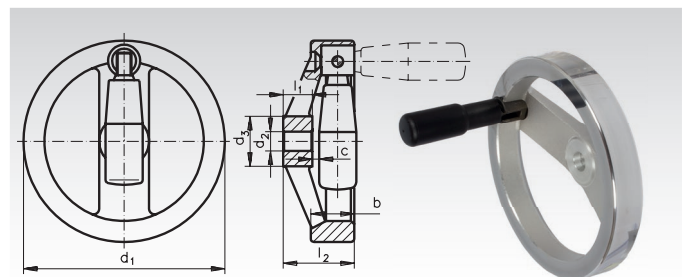
Product No. Vers. A	Product No. Vers. B	d ₁ mm	d ₂ ^{H7} mm	d ₃ mm	b mm	l ₁ mm	l ₂ mm	Cylindrical Handle Ø mm	Weight Vers. A g	Weight Vers. B g
670 901 00	670 911 00	80	10	26	13	16	26	18	140	160
670 902 00	670 912 00	100	10	28	14	17	30	21	210	250
670 903 00	670 913 00	125	12	31	15	18	33	23	320	400
670 904 00	670 914 00	140	14	36	16,5	19	36	23	440	510
670 905 00	670 915 00	160	14	36	18	20	39	26	570	670
670 906 00	670 916 00	200	18	42	20,5	24	45	26	930	1030
670 907 00	670 917 00	250	22	48	23	28	51	28	1550	1670

Handwheels with Retractable Handle 3223

Material: Aluminium gravity die-cast, hub machined, rim turned and polished. Parts of the folding mechanism: Steel hardened and bur-nished.

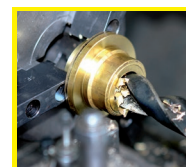
These handwheels are used in applications where the handle must not stick out. Handle and folding mechanism are fully encased in the rim. The handle is locked in the operating position. To retract it, the handle is pulled out of its taper seat and then tilted. A compression spring locks the handle in both end positions.

Keyway available at extra charge.



Ordering Details: e.g.: Product No. 670 516 00, Handwheel with Retractable Handle 3223, 160 mm

Product No.	d ₁ mm	d ₂ ^{H7} mm	d ₃ mm	b mm	c min. mm	l ₁ mm	l ₂ mm	Handle Ø mm	Weight g
670 512 00	125	12	31	24,5	4,5	18	44	23	469
670 516 00	160	14	36	25	4	20	47	26	697
670 520 00	200	18	42	25	5,5	24	52,5	26	978



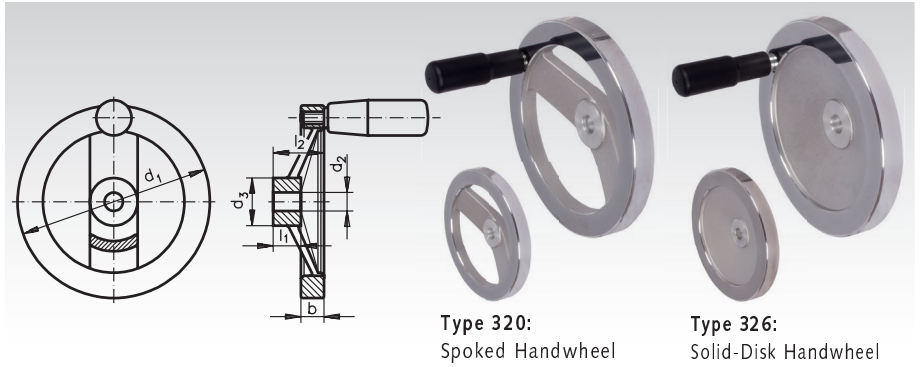
**Reworking within
24h-service possible.
Custom made parts
on request.**

Spoked Handwheels 320 and Solid-Disk Handwheels 326

Material: Aluminium, gravity die-cast.
Revolving cylindrical handle made from plastic with threaded steel stud and Allen screw. Hub machined, rim of wheel turned and polished all over.

Hub length and bore diameter according to DIN 950.

Keyway available at extra charge.



Type 320:
Spoked Handwheel

Type 326:
Solid-Disk Handwheel

Ordering Details: e.g.: Product No. 670 712 00, Spoked Handwheel 320 with Handle, 125 mm

Product No. 320 with Handle	Product No. 320 without Handle	Product No. 326 with Handle	Product No. 326 without Handle	d ₁ mm	d ₂ ^{H7} mm	d ₃ mm	b mm	l ₁ mm	l ₂ mm	Cylindrical Handle Ø mm	320 with H.	320 without H.	326 with H.	326 without H.
-	-	-	670 801 00	80	10	26	13	16	26	18	-	-	161	134
-	-	670 810 00	670 802 00	100	10	31	14	17	30	21	-	-	255	215
670 712 00	670 703 00	670 812 00	670 803 00	125	12	31	15	18	33	23	383	311	394	318
670 714 00	670 704 00	670 814 00	670 804 00	140	14	34	16,5	19	36	23	486	411	507	431
670 716 00	670 705 00	670 816 00	670 805 00	160	14	36	18	20	39	26	643	539	675	570
670 720 00	670 706 00	670 820 00	670 806 00	200	18	42	20,5	24	45	26	996	892	990	885
670 725 00	670 707 00	670 825 00	670 807 00	250	22	48	23	28	51	28	1598	1478	1626	1552

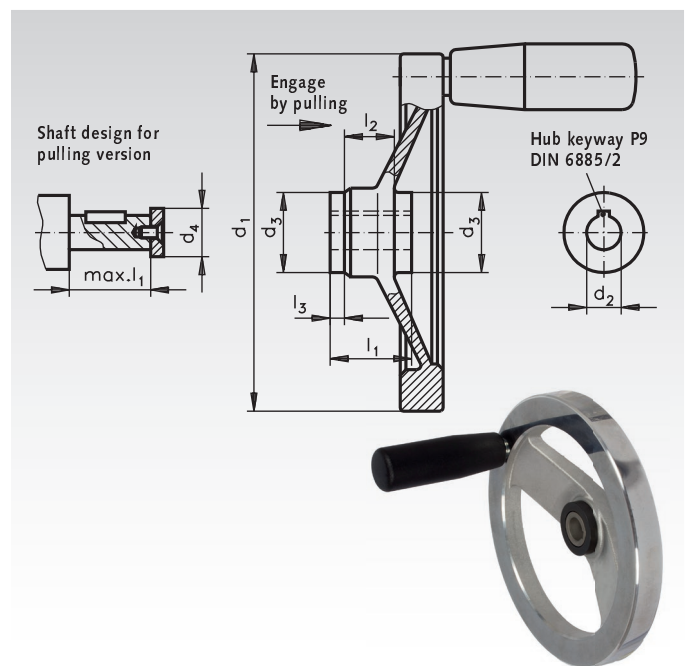
Safety Handwheels SHR

Material: Aluminium, polished.
Coupling attachment assembled.
Can only be supplied with revolving, cylindrical handle made from plastic with threaded steel bolt and with hub keyway.

According to safety regulations, handwheels must be mounted on the shaft in such a way that they do not rotate along with the machine drive. Safety handwheels comply with this regulation.

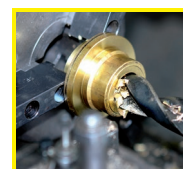
Procedure: Wheel disengaged if not used. By axial displacement of the wheel (pulling) the two serrated wheel rims are engaged. The wheel is now positively keyed to the shaft. When the wheel is released, it automatically disengages. The coupling elements are assembled together in an enclosed unit. Coupling attachment made from steel, nitrided, bearing surface ground and PTFE coated, for minimal friction between bearing surfaces and high wear resistance. An oil hole is provided, which serves to connected to a pressure oiler in the wheel hub. Frequent lubrication is an important precondition in guaranteeing the correct functioning of the plain-bearing coupling attachment. The range of application of these handwheels is limited to low shaft speeds, or to higher speeds of only short duration (e.g. feed screws for milling machine table with rapid feed).

The coupling attachments can also be supplied separately, to be mounted with existing handwheels. Prices on request.
We assume no liability for any consequential damage.



Ordering Details: e.g.: Product No. 670 612 00, Safety Handwheel SHR, 125 mm

Product No.	d ₁ mm	d ₂ ^{H7} mm	d ₃ mm	d ₄ max. mm	l ₁ mm	l ₂ mm	l ₃ mm	Weight g
670 612 00	125	12	28	17	28,5	18	5	552
670 614 00	140	12	28	17	28,5	18	5	660
670 616 00	160	14	32	21	32,5	20	6	907
670 620 00	200	18	38	26	36,5	24	6	1324
670 625 00	250	22	45	30	47,5	28	12	2122



**Reworking within
24h-service possible.
Custom made parts
on request.**