

Precision Levelling Adjusters

Precision Adjusters NAE

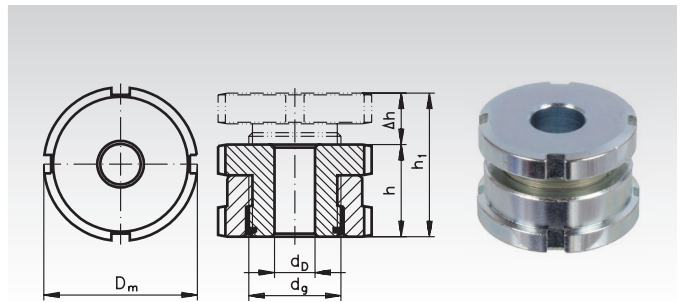
Material:

Standard version: 42CrMo4V, No. 1.7225,
Surface zinc plated and chromated.

Stainless version: X10CrNiS18.9, No. 1.4305.



- For parallel surfaces.
- Low overall height with short adjustment travel.
- Without lock nut.



Ordering Details: e.g.: Product No. 686 305 00, NAE 15-6.6 standard

Product No. standard	Product No. stainless	Type	matching screw	h mm	h ₁ mm	Δh mm	D _m mm	d _g mm	d _D mm	F _{tot.} * kN	F _{add.} * kN	Weight g
686 305 00	686 993 05	NAE 15- 6.6	M6	15	19	4	25	M15x1,0	6,6	40	30,7	43
686 310 00	686 993 10	NAE 20- 6.6	M6	18	23	5	32	M20x1,0	6,6	65	55,7	92
686 315 00	686 993 15	NAE 20- 9.0	M8	18	23	5	32	M20x1,0	9,0	65	48,0	90
686 320 00	686 993 20	NAE 20-11,0	M10	18	23	5	32	M20x1,0	11,0	65	37,9	84
686 325 00	686 993 25	NAE 30-11,0	M10	22	29	7	45	M30x1,5	11,0	120	92,9	219
686 330 00	686 993 30	NAE 30-13,5	M12	22	29	7	45	M30x1,5	13,5	120	80,4	210
686 335 00	686 993 35	NAE 30-17,5	M16	22	29	7	45	M30x1,5	17,5	120	45,5	196
686 340 00	686 993 40	NAE 40-17,5	M16	28	37	9	58	M40x1,5	17,5	210	136,0	457
686 345 00	686 993 45	NAE 40-22,0	M20	28	37	9	58	M40x1,5	22,0	210	90,0	425
686 350 00	686 993 50	NAE 40-26,0	M24	28	37	9	58	M40x1,5	26,0	210	37,0	387
686 355 00	686 993 55	NAE 50-22,0	M20	33	43	10	70	M50x1,5	22,0	330	210,0	780
686 360 00	686 993 60	NAE 50-26,0	M24	33	43	10	70	M50x1,5	26,0	330	157,0	741
686 365 00	686 993 65	NAE 50-33,0	M30	33	43	10	70	M50x1,5	33,0	330	53,0	656
686 370 00	686 993 70	NAE 60-26,0	M24	38	50	12	80	M60x2,0	26,0	495	322,0	1135
686 375 00	686 993 75	NAE 60-33,0	M30	38	50	12	80	M60x2,0	33,0	495	218,0	1060
686 380 00	686 993 80	NAE 60-39,0	M36	38	50	12	80	M60x2,0	39,0	495	101,0	965
686 385 00	686 993 85	NAE 80-39,0	M36	48	62	14	105	M80x2,0	39,0	860	466,0	2500

Other sizes on request.

Precision Adjusters NAEK

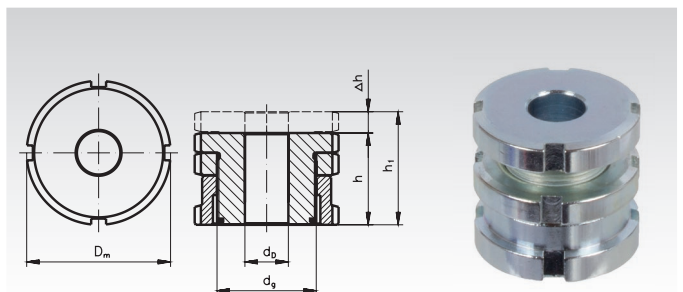
Material:

Standard version: 42CrMo4V, No. 1.7225,
Surface zinc plated and chromated.

Stainless version: X10CrNiS18.9, No. 1.4305.



- For parallel surfaces.
- Low overall height with short adjustment travel.
- With lock nut.



Ordering Details: e.g.: Product No. 686 605 00, NAEK 15-6.6 standard

Product No. standard	Product No. stainless	Type	matching screw	h mm	h ₁ mm	Δh mm	D _m mm	d _g mm	d _D mm	F _{tot.} * kN	F _{add.} * kN	Weight g
686 605 00	686 996 05	NAEK 15- 6.6	M6	20	24	4	25	M15x1,0	6,6	40	30,7	59
686 610 00	686 996 10	NAEK 20- 6.6	M6	24	29	5	32	M20x1,0	6,6	65	55,7	129
686 615 00	686 996 15	NAEK 20- 9.0	M8	24	29	5	32	M20x1,0	9,0	65	48,0	121
686 620 00	686 996 20	NAEK 20-11,0	M10	24	29	5	32	M20x1,0	11,0	65	37,9	116
686 625 00	686 996 25	NAEK 30-11,0	M10	29	36	7	45	M30x1,5	11,0	120	92,9	299
686 630 00	686 996 30	NAEK 30-13,5	M12	29	36	7	45	M30x1,5	13,5	120	80,4	287
686 635 00	686 996 35	NAEK 30-17,5	M16	29	36	7	45	M30x1,5	17,5	120	45,5	262
686 640 00	686 996 40	NAEK 40-17,5	M16	37	46	9	58	M40x1,5	17,5	210	136,0	628
686 645 00	686 996 45	NAEK 40-22,0	M20	32	46	9	58	M40x1,5	22,0	210	90,0	586
686 650 00	686 996 50	NAEK 40-26,0	M24	37	46	9	58	M40x1,5	26,0	210	37,0	543
686 655 00	686 996 55	NAEK 50-22,0	M20	44	54	10	70	M50x1,5	22,0	330	210,0	1096
686 660 00	686 996 60	NAEK 50-26,0	M24	44	54	10	70	M50x1,5	26,0	330	157,0	1038
686 665 00	686 996 65	NAEK 50-33,0	M30	44	54	10	70	M50x1,5	33,0	330	53,0	932
686 670 00	686 996 70	NAEK 60-26,0	M24	49	61	12	80	M60x2,0	26,0	495	322,0	1533
686 675 00	686 996 75	NAEK 60-33,0	M30	49	61	12	80	M60x2,0	33,0	495	218,0	1428
686 680 00	686 996 80	NAEK 60-39,0	M36	49	61	12	80	M60x2,0	39,0	495	101,0	1301
686 685 00	686 996 85	NAEK 80-39,0	M36	63	77	14	105	M80x2,0	39,0	860	466,0	3469

Other sizes on request.

* Values apply to standard version. Values for stainless version, see page 589.

F_{tot.} = max. load. (incl. preload from any mounting screw).

F_{add.} = Load after subtracting the preload of any mounting screw.

Precision Levelling Adjusters

Ball Head Precision Adjusters KAE

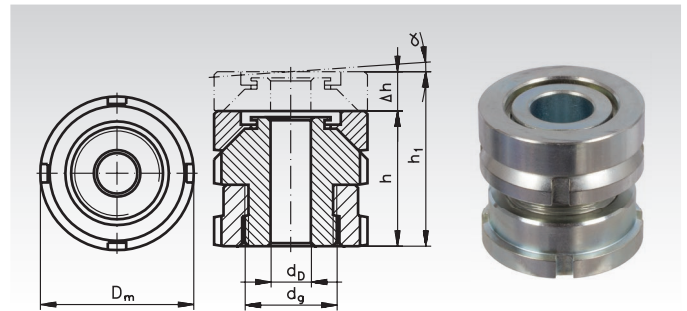
Material:

Standard version: 42CrMo4V, No. 1.7225,
Surface zinc plated and chromated.

Stainless version: X10CrNiS18.9, No. 1.4305.



- For non-parallel surfaces up to 4° slope.
- Low overall height with short adjustment travel.
- Without lock nut.



Ordering Details: e.g.: Product No. 686 405 00, KAE 15-6.6 standard

Product No. standard	Product No. stainless	Type	matching screw	h mm	h ₁ mm	Δh mm	D _m mm	d _g mm	d _D mm	α approx.	F _{tot.} * kN	F _{add.} * kN	Weight g
686 405 00	686 994 05	KAE 15- 6,6	M6	22	26	4	25	M15x1,0	6,6	4°	40	30,7	64
686 410 00	686 994 10	KAE 20- 6,6	M6	26	31	5	32	M20x1,0	6,6	4°	65	55,7	132
686 415 00	686 994 15	KAE 20- 9,0	M8	26	31	5	32	M20x1,0	9,0	4°	65	48,0	126
686 420 00	686 994 20	KAE 20-11,0	M10	26	31	5	32	M20x1,0	11,0	4°	65	37,9	120
686 425 00	686 994 25	KAE 30-11,0	M10	34	41	7	45	M30x1,5	11,0	4°	120	92,9	340
686 430 00	686 994 30	KAE 30-13,5	M12	34	41	7	45	M30x1,5	13,5	4°	120	80,4	324
686 435 00	686 994 35	KAE 30-17,5	M16	34	41	7	45	M30x1,5	17,5	4°	120	45,5	299
686 440 00	686 994 40	KAE 40-17,5	M16	44	53	9	58	M40x1,5	17,5	4°	210	136,0	720
686 445 00	686 994 45	KAE 40-22,0	M20	44	53	9	58	M40x1,5	22,0	4°	210	90,0	667
686 450 00	686 994 50	KAE 40-26,0	M24	44	53	9	58	M40x1,5	26,0	4°	210	37,0	622
686 455 00	686 994 55	KAE 50-22,0	M20	50	60	10	70	M50x1,5	22,0	4°	330	210,0	1225
686 460 00	686 994 60	KAE 50-26,0	M24	50	60	10	70	M50x1,5	26,0	4°	330	157,0	1170
686 465 00	686 994 65	KAE 50-33,0	M30	50	60	10	70	M50x1,5	33,0	4°	330	53,0	1043
686 470 00	686 994 70	KAE 60-26,0	M24	56	68	12	80	M60x2,0	26,0	4°	495	322,0	1666
686 475 00	686 994 75	KAE 60-33,0	M30	56	68	12	80	M60x2,0	33,0	4°	495	218,0	1000
686 480 00	686 994 80	KAE 60-39,0	M36	56	68	12	80	M60x2,0	39,0	4°	495	101,0	1181
686 485 00	686 994 85	KAE 80-39,0	M36	72	86	14	105	M80x2,0	39,0	4°	860	466,0	3400

Other sizes on request.

Ball Head Precision Adjusters KAEK

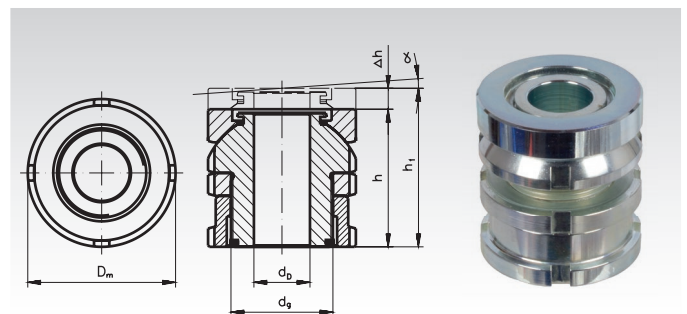
Material:

Standard version: 42CrMo4V, No. 1.7225,
Surface zinc plated and chromated.

Stainless version: X10CrNiS18.9, No. 1.4305.



- For non-parallel surfaces up to 4° slope.
- Low overall height with short adjustment travel.
- With lock nut.



Ordering Details: e.g.: Product No. 686 705 00, KAEK 15-6.6 standard

Product No. standard	Product No. stainless	Type	matching screw	h mm	h ₁ mm	Δh mm	D _m mm	d _g mm	d _D mm	α approx.	F _{tot.} * kN	F _{add.} * kN	Weight g
686 705 00	686 997 05	KAEK 15- 6,6	M6	27	31	4	25	M15x1,0	6,6	4°	40	30,7	84
686 710 00	686 997 10	KAEK 20- 6,6	M6	32	37	5	32	M20x1,0	6,6	4°	65	55,7	168
686 715 00	686 997 15	KAEK 20- 9,0	M8	32	37	5	32	M20x1,0	9,0	4°	65	48,0	166
686 720 00	686 997 20	KAEK 20-11,0	M10	32	37	5	32	M20x1,0	11,0	4°	65	37,9	153
686 725 00	686 997 25	KAEK 30-11,0	M10	41	48	7	45	M30x1,5	11,0	4°	120	92,9	421
686 730 00	686 997 30	KAEK 30-13,5	M12	41	48	7	45	M30x1,5	13,5	4°	120	80,4	389
686 735 00	686 997 35	KAEK 30-17,5	M16	41	48	7	45	M30x1,5	17,5	4°	120	45,5	356
686 740 00	686 997 40	KAEK 40-17,5	M16	53	62	9	58	M40x1,5	17,5	4°	210	136,0	847
686 745 00	686 997 45	KAEK 40-22,0	M20	53	62	9	58	M40x1,5	22,0	4°	210	90,0	782
686 750 00	686 997 50	KAEK 40-26,0	M24	53	62	9	58	M40x1,5	26,0	4°	210	37,0	720
686 755 00	686 997 55	KAEK 50-22,0	M20	61	71	10	70	M50x1,5	22,0	4°	330	210,0	1312
686 760 00	686 997 60	KAEK 50-26,0	M24	61	71	10	70	M50x1,5	26,0	4°	330	157,0	1238
686 765 00	686 997 65	KAEK 50-33,0	M30	61	71	10	70	M50x1,5	33,0	4°	330	53,0	1082
686 770 00	686 997 70	KAEK 60-26,0	M24	67	79	12	80	M60x2,0	26,0	4°	495	322,0	1538
686 775 00	686 997 75	KAEK 60-33,0	M30	67	79	12	80	M60x2,0	33,0	4°	495	218,0	1367
686 780 00	686 997 80	KAEK 60-39,0	M36	67	79	12	80	M60x2,0	39,0	4°	495	101,0	1194
686 785 00	686 997 85	KAEK 80-39,0	M36	87	101	14	105	M80x2,0	39,0	4°	860	466,0	4387

Other sizes on request.

* Values apply to standard version. Values for stainless version, see page 589.

F_{tot.} = max. load. (incl. preload from any mounting screw).

F_{add.} = Load after subtracting the preload of any mounting screw.

Precision Levelling Adjusters

Precision Levellers HVS

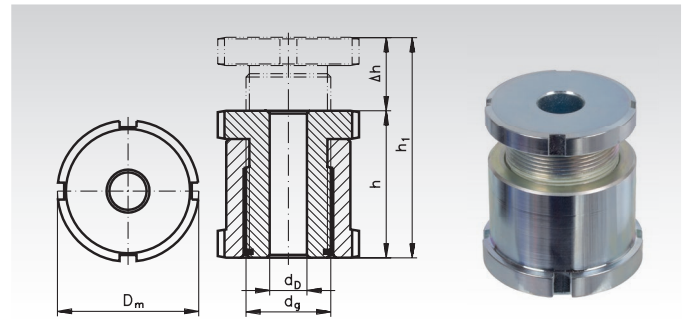
Material:

Standard Version: 42CrMo4V, Nr. 1.7225,
Surface zinc plated and chromated

Stainless Steel: X10CrNiS18.9, Nr. 1.4305.



- For parallel surfaces.
- Larger overall height with more adjustment travel.
- Without lock nut.



Ordering Details: e.g.: Product No. 686 105 00, HVS 15-6.6 Standard

Product No. standard	Product No. stainless	Type	Matching Screw	h mm	h ₁ mm	Δh mm	D _m mm	d _g mm	d _D mm	F _{tot.} * kN	F _{add.} * kN	Weight g
686 105 00	686 991 05	HVS 15- 6,6	M6	28	43	15	25	M15x1,0	6,6	40	30,7	68,1
686 110 00	686 991 10	HVS 20- 6,6	M6	35	55	20	32	M20x1,0	6,6	65	55,7	160,9
686 115 00	686 991 15	HVS 20- 9,0	M8	35	55	20	32	M20x1,0	9,0	65	48,0	151,6
686 120 00	686 991 20	HVS 20-11,0	M10	35	55	20	32	M20x1,0	11,0	65	37,9	143,5
686 125 00	686 991 25	HVS 30-11,0	M10	42	67	25	45	M30x1,5	11,0	120	92,9	372,0
686 130 00	686 991 30	HVS 30-13,5	M12	42	67	25	45	M30x1,5	13,5	120	80,4	349,3
686 135 00	686 991 35	HVS 30-17,5	M16	42	67	25	45	M30x1,5	17,5	120	45,5	318,4
686 140 00	686 991 40	HVS 40-17,5	M16	54	86	32	58	M40x1,5	17,5	210	136,0	782,0
686 145 00	686 991 45	HVS 40-22,0	M20	54	86	32	58	M40x1,5	22,0	210	90,0	730,0
686 150 00	686 991 50	HVS 40-26,0	M24	54	86	32	58	M40x1,5	26,0	210	37,0	666,4
686 155 00	686 991 55	HVS 50-22,0	M20	66	106	40	70	M50x1,5	22,0	330	210,0	1440,0
686 160 00	686 991 60	HVS 50-26,0	M24	66	106	40	70	M50x1,5	26,0	330	157,0	1360,0
686 165 00	686 991 65	HVS 50-33,0	M30	66	106	40	70	M50x1,5	33,0	330	53,0	1200,0
686 170 00	686 991 70	HVS 60-26,0	M24	76	126	50	80	M60x2,0	26,0	495	322,0	2167,0
686 175 00	686 991 75	HVS 60-33,0	M30	76	126	50	80	M60x2,0	33,0	495	218,0	1862,0
686 180 00	686 991 80	HVS 60-39,0	M36	76	126	50	80	M60x2,0	39,0	495	101,0	1671,0
686 185 00	686 991 85	HVS 80-39,0	M36	95	150	55	105	M80x2,0	39,0	920	526,0	4540,0

Other sizes available on request.

Precision Levellers with Lock Nut HVSK

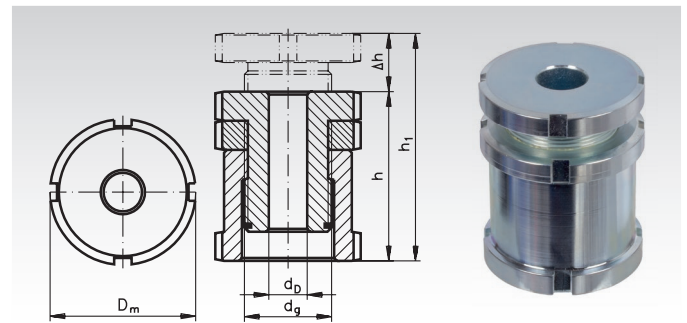
Material:

Standard Version: 42CrMo4V, Nr. 1.7225,
Surface zinc plated and chromated

Stainless Steel: X10CrNiS18.9, Nr. 1.4305.



- For parallel surfaces.
- Larger overall height with more adjustment travel.
- With lock nut.



Ordering Details: e.g.: Product No. 686 205 00, HVSK 15-6.6 standard

Product No. standard	Product No. stainless	Type	Matching Screw	h mm	h ₁ mm	Δh mm	D _m mm	d _g mm	d _D mm	F _{tot.} * kN	F _{add.} * kN	Weight g
686 205 00	686 992 05	HVSK 15- 6,6	M6	33	43	10	25	M15x1,0	6,6	40	30,7	78,0
686 210 00	686 992 10	HVSK 20- 6,6	M6	41	55	14	32	M20x1,0	6,6	65	55,7	179,2
686 215 00	686 992 15	HVSK 20- 9,0	M8	41	55	14	32	M20x1,0	9,0	65	48,0	172,3
686 220 00	686 992 20	HVSK 20-11,0	M10	41	55	14	32	M20x1,0	11,0	65	37,9	165,5
686 225 00	686 992 25	HVSK 30-11,0	M10	49	67	18	45	M30x1,5	11,0	120	92,9	409,1
686 230 00	686 992 30	HVSK 30-13,5	M12	49	67	18	45	M30x1,5	13,5	120	80,4	393,2
686 235 00	686 992 35	HVSK 30-17,5	M16	49	67	18	45	M30x1,5	17,5	120	45,5	365,0
686 240 00	686 992 40	HVSK 40-17,5	M16	63	86	23	58	M40x1,5	17,5	210	136,0	881,9
686 245 00	686 992 45	HVSK 40-22,0	M20	63	86	23	58	M40x1,5	22,0	210	90,0	822,9
686 250 00	686 992 50	HVSK 40-26,0	M24	63	86	23	58	M40x1,5	26,0	210	37,0	761,7
686 255 00	686 992 55	HVSK 50-22,0	M20	77	106	29	70	M50x1,5	22,0	330	210,0	1595,0
686 260 00	686 992 60	HVSK 50-26,0	M24	77	106	29	70	M50x1,5	26,0	330	157,0	1516,0
686 265 00	686 992 65	HVSK 50-33,0	M30	77	106	29	70	M50x1,5	33,0	330	53,0	1344,0
686 270 00	686 992 70	HVSK 60-26,0	M24	87	126	39	80	M60x2,0	26,0	495	322,0	2340,0
686 275 00	686 992 75	HVSK 60-33,0	M30	87	126	39	80	M60x2,0	33,0	495	218,0	2140,0
686 280 00	686 992 80	HVSK 60-39,0	M36	87	126	39	80	M60x2,0	39,0	495	101,0	1840,0
686 285 00	686 992 85	HVSK 80-39,0	M36	110	150	40	105	M80x2,0	39,0	920	526,0	4950,0

Other sizes on request.

* Values apply to standard version. Values for stainless version, see page 589.

F_{tot.} = max. load. (incl. preload from any mounting screw).

F_{add.} = Load after subtracting the preload of any mounting screw.

Precision Levelling Adjusters

Ball Head Precision Adjusters KVS

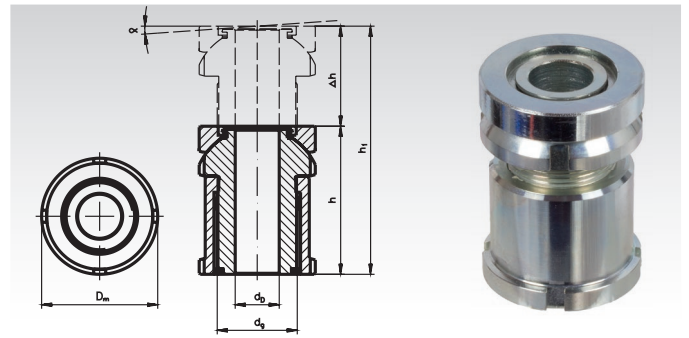
Material:

Standard version: 42CrMo4V, No. 1.7225,
Surface zinc plated and chromated.

Stainless version: X10CrNiS18.9, No. 1.4305.



- For non-parallel surfaces up to 4° slope.
- Larger overall height with more adjustment travel.
- Without lock nut.



Ordering Details: e.g.: Product No. 686 805 00, KVS 15-6.6 standard

Product No. standard	Product No. stainless	Type	matching screw	h mm	h ₁ mm	Δh mm	D _m mm	d _g mm	d _D mm	α approx.	F _{tot.} * kN	F _{add.} * kN	Weight g
686 805 00	686 998 05	KVS 15- 6.6	M6	35	50	15	25	M15x1,0	6,6	4°	40	30,7	100
686 810 00	686 998 10	KVS 20- 6.6	M6	43	63	20	32	M20x1,0	6,6	4°	65	55,7	205
686 815 00	686 998 15	KVS 20- 9.0	M8	43	63	20	32	M20x1,0	9,0	4°	65	48,0	195
686 820 00	686 998 20	KVS 20-11,0	M10	43	63	20	32	M20x1,0	11,0	4°	65	37,9	187
686 825 00	686 998 25	KVS 30-11,0	M10	54	79	25	45	M30x1,5	11,0	4°	120	92,9	492
686 830 00	686 998 30	KVS 30-13,5	M12	54	79	25	45	M30x1,5	13,5	4°	120	80,4	468
686 835 00	686 998 35	KVS 30-17,5	M16	54	79	25	45	M30x1,5	17,5	4°	120	45,5	437
686 840 00	686 998 40	KVS 40-17,5	M16	70	102	32	58	M40x1,5	17,5	4°	210	136,0	1042
686 845 00	686 998 45	KVS 40-22,0	M20	70	102	32	58	M40x1,5	22,0	4°	210	90,0	989
686 850 00	686 998 50	KVS 40-26,0	M24	70	102	32	58	M40x1,5	26,0	4°	210	37,0	925
686 855 00	686 998 55	KVS 50-22,0	M20	83	123	40	70	M50x1,5	22,0	4°	330	210,0	1897
686 860 00	686 998 60	KVS 50-26,0	M24	83	123	40	70	M50x1,5	26,0	4°	330	157,0	1816
686 865 00	686 998 65	KVS 50-33,0	M30	83	123	40	70	M50x1,5	33,0	4°	330	53,0	1652
686 870 00	686 998 70	KVS 60-26,0	M24	94	144	50	80	M60x2,0	26,0	4°	495	322,0	2771
686 875 00	686 998 75	KVS 60-33,0	M30	94	144	50	80	M60x2,0	33,0	4°	495	218,0	2460
686 880 00	686 998 80	KVS 60-39,0	M36	94	144	50	80	M60x2,0	39,0	4°	495	101,0	2265
686 885 00	686 998 85	KVS 80-39,0	M36	119	174	55	105	M80x2,0	39,0	4°	920	526,0	5549

Other sizes on request.

Ball Head Precision Adjuster KVSK

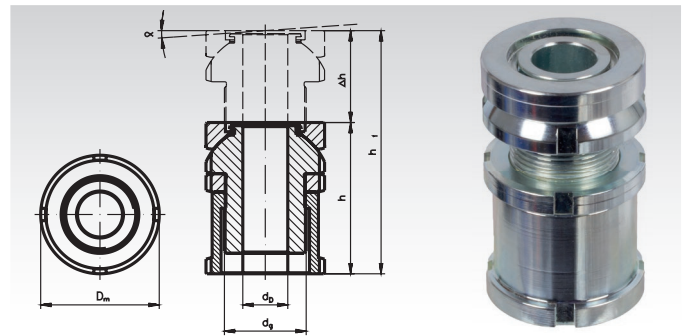
Material:

Standard version: 42CrMo4V, No. 1.7225,
Surface zinc plated and chromated.

Stainless version: X10CrNiS18.9, No. 1.4305.



- For non-parallel surfaces up to 4° slope.
- Larger overall height with more adjustment travel.
- With lock nut.



Ordering Details: e.g.: Product No. 686 905 00, KVSK 15-6.6 standard

Product No. standard	Product No. stainless	Type	matching screw	h mm	h ₁ mm	Δh mm	D _m mm	d _g mm	d _D mm	α approx.	F _{tot.} * kN	F _{add.} * kN	Weight g
686 905 00	686 999 05	KVSK 15- 6.6	M6	40	50	10	25	M15x1,0	6,6	4°	40	30,7	110
686 910 00	686 999 10	KVSK 20- 6.6	M6	49	63	14	32	M20x1,0	6,6	4°	65	55,7	225
686 915 00	686 999 15	KVSK 20- 9.0	M8	49	63	14	32	M20x1,0	9,0	4°	65	48,0	216
686 920 00	686 999 20	KVSK 20-11,0	M10	49	63	14	32	M20x1,0	11,0	4°	65	37,9	208
686 925 00	686 999 25	KVSK 30-11,0	M10	61	79	18	45	M30x1,5	11,0	4°	120	92,9	537
686 930 00	686 999 30	KVSK 30-13,5	M12	61	79	18	45	M30x1,5	13,5	4°	120	80,4	513
686 935 00	686 999 35	KVSK 30-17,5	M16	61	79	18	45	M30x1,5	17,5	4°	120	45,5	482
686 940 00	686 999 40	KVSK 40-17,5	M16	79	102	23	58	M40x1,5	17,5	4°	210	136,0	1139
686 945 00	686 999 45	KVSK 40-22,0	M20	79	102	23	58	M40x1,5	22,0	4°	210	90,0	1086
686 950 00	686 999 50	KVSK 40-26,0	M24	79	102	23	58	M40x1,5	26,0	4°	210	37,0	1021
686 955 00	686 999 55	KVSK 50-22,0	M20	94	123	29	70	M50x1,5	22,0	4°	330	210,0	2050
686 960 00	686 999 60	KVSK 50-26,0	M24	94	123	29	70	M50x1,5	26,0	4°	330	157,0	1969
686 965 00	686 999 65	KVSK 50-33,0	M30	94	123	29	70	M50x1,5	33,0	4°	330	53,0	1805
686 970 00	686 999 70	KVSK 60-26,0	M24	105	144	39	80	M60x2,0	26,0	4°	495	322,0	2945
686 975 00	686 999 75	KVSK 60-33,0	M30	105	144	39	80	M60x2,0	33,0	4°	495	218,0	2634
686 980 00	686 999 80	KVSK 60-39,0	M36	105	144	39	80	M60x2,0	39,0	4°	495	101,0	2439
686 985 00	686 999 85	KVSK 80-39,0	M36	134	174	40	105	M80x2,0	39,0	4°	920	526,0	6008

Other sizes on request.

* Values apply to standard version. Values for stainless version, see page 589

F_{tot.} = max. load. (incl. preload from any mounting screw).

F_{add.} = Load after subtracting the preload of any mounting screw.

Precision Levelling Adjusters

Ball Shims KAS

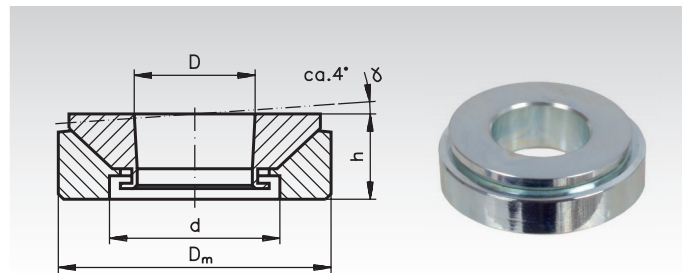
Material:

Standard Version: 42CrMo4V, Nr. 1.7225,
Surface zinc plated and chromated.

Stainless Steel: X10CrNiS18.9, Nr. 1.4305.



For an angle of inclination (alpha) of up to 4°. If the angle of inclination (alpha) exceeds > 1° out of parallel, the use of an additional KAS is recommended to assure a stable support of the bolt head. See also page 588.



Ordering Details: e.g.: Product No. 686 505 00, KAS 15 standard

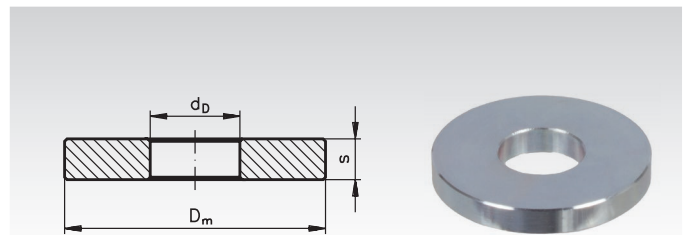
Product No. standard	Product No. stainless	Type	suitable for	h mm	D _m mm	d mm	D mm	Weight g
686 505 00	686 995 05	KAS 15	M6	8,0	25	15	8,5	22
686 510 00	686 995 10	KAS 20	M10	10,0	32	20	13,0	44
686 515 00	686 995 15	KAS 30	M16	12,5	45	30	20,0	104
686 520 00	686 995 20	KAS 40	M24	16,0	58	38	29,0	215
686 525 00	686 995 25	KAS 50	M30	20,0	70	48	36,0	366
686 530 00	686 995 30	KAS 60	M36	20,0	80	61	44,0	439
686 535 00	686 995 35	KAS 80	M48	25,0	105	78	58,0	944

Spacers DS

Material:

Standard Version: 42CrMo4V, Nr. 1.7225,
Surface zinc plated and chromated.

Stainless Steel Version: X10CrNiS18.9, Nr. 1.4305.



Ordering Details: e.g.: Product No. 686 555 00, DS 15 Standard

Product No. standard	Product No. stainless	Type	for Type NAE, KAE, HVS, HVSK	D _m mm	d _B mm	s mm	Weight g
686 555 00	686 995 55	DS 15	...15-...	25	6,6	4	14
686 560 00	686 995 60	DS 20	...20-...	32	11,0	5	27
686 565 00	686 995 65	DS 30	...30-...	45	17,5	6	62
686 570 00	686 995 70	DS 40	...40-...	58	26,0	8	128
686 575 00	686 995 75	DS 50	...50-...	70	33,0	10	222
686 580 00	686 995 80	DS 60	...60-...	80	39,0	12	342
686 585 00	686 995 85	DS 80	...80-...	105	52,0	16	775

Hook Wrenches DIN 1810 A

Material:

Special steel, hardened and burnished.

Important: two spanner wrenches are required for mounting the precision levelling adjusters.



Ordering Details: e.g.: 2 Pieces, Product No. 653 400 25, Hook Wrenches 25-28mm

Product No.	D _m Range mm	for Type (Size)	Length mm	Weight g
653 400 25	25 - 28	...15-...	136	45
653 400 30	30 - 32	...20-...	136	50
653 400 45	45 - 50	...30-...	206	155
653 400 58	58 - 62	...40-...	240	260
653 400 68	68 - 75	...50-...	240	255
653 400 80	80 - 90	...60-...	280	410
653 401 10	110 - 115 (105)	...80-...	335	745

More sizes page 517