

Ammeraal Beltech Modular

Innovative belt and chain solutions
for every industry & application



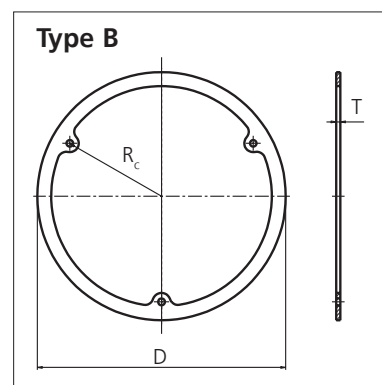
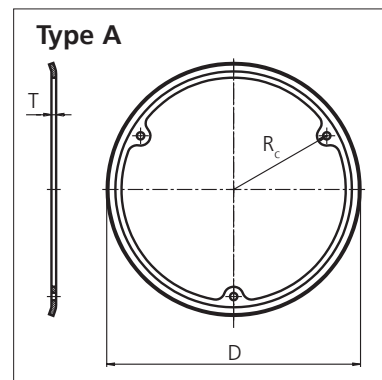
Content

uni Guide Rings	page 3 - 4
uni Retainer Rings	page 5 - 6
uni Idler	page 7 - 8

Accessories

uni Guide Rings

No of teeth	Overall diameter D		Clamping diameter radius R_c		Thickness of ring T		Shape of ring Type
	mm	in	mm	in	mm	in	
17	104.4	4.11	39.7	1.56	1.5	0.06	A
18	104.4	4.11	39.7	1.56	1.5	0.06	A
19	116.3	4.58	45.5	1.79	3.0	0.12	A
20	116.3	4.58	45.5	1.79	3.0	0.12	A
21	129.3	5.10	53.0	2.09	3.0	0.12	A
22	129.3	5.10	53.0	2.09	3.0	0.12	A
23	141.2	5.56	57.0	2.24	3.0	0.12	A
24	141.2	5.56	57.0	2.24	3.0	0.12	A
25	153.2	6.03	63.6	2.50	3.0	0.12	A
26	153.2	6.03	63.6	2.50	3.0	0.12	A
27	165.2	70.0	70.0	2.76	3.0	0.12	A
28	165.2	70.0	70.0	2.76	3.0	0.12	A
29	178.3	76.0	76.0	2.99	3.0	0.12	B
30	178.3	76.0	76.0	2.99	3.0	0.12	B
31	190.5	82.0	82.0	3.23	3.0	0.12	B
32	190.5	82.0	82.0	3.23	3.0	0.12	B



STANDARD

The sprockets for the steel chains uni 810/812/815/800/802/805 can be supplied with guide rings if the drive sprockets are to guide the chain.

All guide rings are supplied with 3 clamping holes \varnothing 4.8 mm (0.19 in).

Standard material	DIN 1.0120
--------------------------	------------



Conveyor Belt



Seamless Belt



Modular Belt



Timing Belt



Transmission Belt



Fabrication & service

Solid advice
For all your belting needs
Local stock & service
www.ammeraalbeltech.com

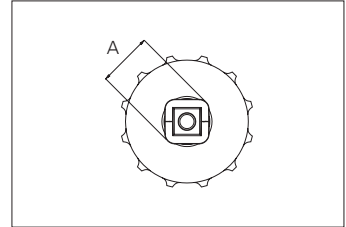
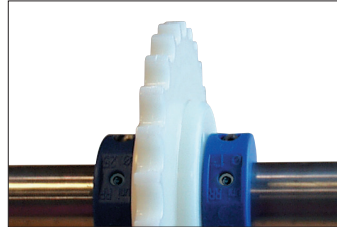
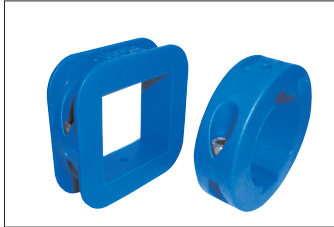
Ammeraal Beltech Modular A/S
Hjulgagervej 21
DK-7100 Vejle

T +45 7572 3100
F +45 7572 3348
admin@unichains.com
www.unichains.com

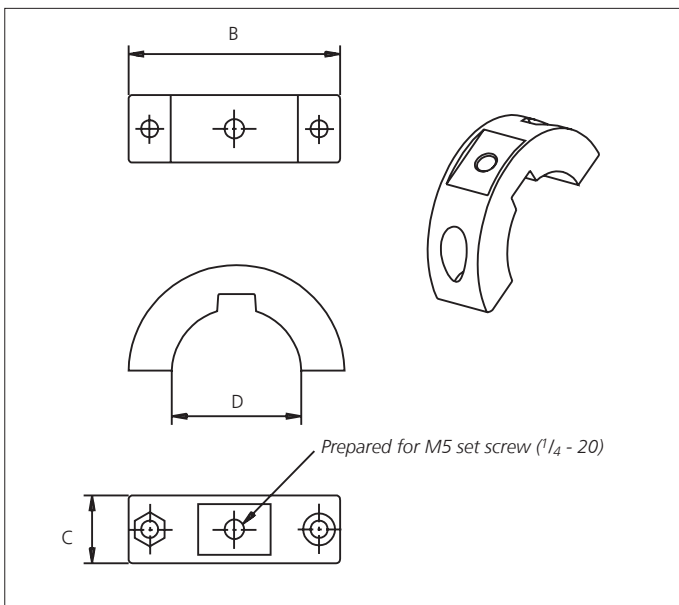
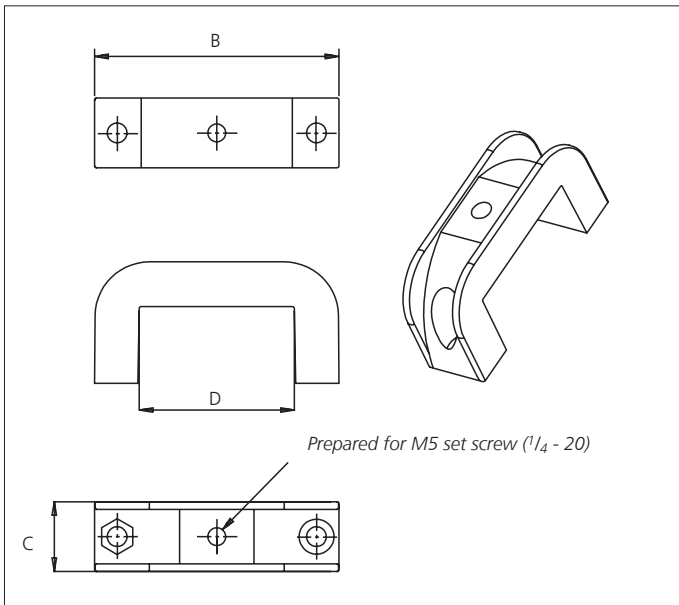
This information is subject to alteration due to continuous development. Ammeraal Beltech will not be held liable for the incorrect use of the above stated information. This information replaces previous information. All activities performed and services rendered by Ammeraal Beltech are subject to general terms and conditions of sale and delivery, as applied by its operating companies.

Accessories

uni Retainer Rings



STANDARD



uni Retainer Rings™ D	B		C		A*	
	mm	in	mm	in	mm	in
40 x 40 mm	63	2.5	18	0.7	ø80	ø3.1
50 x 50 mm	80	3.1	18	0.7	ø103	ø4.1
60 x 60 mm	95	3.7	18	0.7	ø124	ø4.9
1 in x 1 in	44	1.7	14	0.6	ø52	ø2.0
1.5 in x 1.5 in	63	2.5	18	0.7	ø80	ø3.1
2.5 in x 2.5 in	95	3.7	18	0.7	ø124	ø4.9

uni Retainer Rings™ D	B		C		A*	
	mm	in	mm	in	mm	in
ø20 mm	39	0.15	14	0.6	ø39	ø1.5
ø25 mm	44	1.7	14	0.6	ø44	ø1.7
ø30 mm	50	2.0	16	0.6	ø50	ø2.0
ø40 mm	63	2.5	18	0.7	ø63	ø2.5
ø50 mm	75	3.0	18	0.7	ø75	ø3.0
ø1 in	44	1.7	14	0.6	ø44	ø1.7
ø1.5 in	63	2.5	18	0.7	ø63	ø2.5
ø2 in	75	3.0	18	0.7	ø75	ø3.0

* Use sprocket sizes that ensure that the belt or chain do not conflict with uni Retainer Rings™.

Available in sets of 4 rings and sets of 20 rings.

Material & color	PA6-GF B
------------------	-----------------



Conveyor Belt



Seamless Belt



Modular Belt



Timing Belt



Transmission Belt



Fabrication & service

Solid advice
For all your belting needs
Local stock & service
www.ammeraalbeltech.com

Ammeraal Beltech Modular A/S
Hjulgagervej 21
DK-7100 Vejle

T +45 7572 3100
F +45 7572 3348
admin@unichains.com
www.unichains.com

This information is subject to alteration due to continuous development. Ammeraal Beltech will not be held liable for the incorrect use of the above stated information. This information replaces previous information. All activities performed and services rendered by Ammeraal Beltech are subject to general terms and conditions of sale and delivery, as applied by its operating companies.



Accessories

Idler

No. of teeth of Corresponding sprocket	B		Overall diameter D		Bore d				L	
					Min		Max			
	mm	in	mm	in	mm	in	mm	in	mm	in
19	44.4	1.75	116.9	5.11	20.0	0.79	38.1	1.50	63.5	2.50
21	44.4	1.75	129.8	5.11	20.0	0.79	38.1	1.50	63.5	2.50
23	44.4	1.75	142.2	5.60	20.0	0.79	38.1	1.50	63.5	2.50
25	44.4	1.75	154.7	6.09	20.0	0.79	38.1	1.50	63.5	2.50

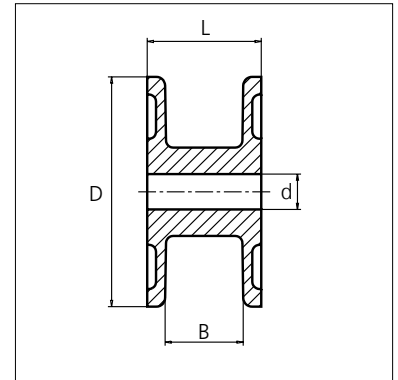


STANDARD

Standard material	POM-D
--------------------------	-------

All idlers are supplied with pilot bore.

Idlers are available for: uni 810, uni 812, uni 815, uni 881, uni Magnet, uni 881 Super Flex, uni 8811, uni 8811 Super Flex, uni 820, uni 831, uni 879, uni 879 Super Flex, uni 880 and uni 880 Super Flex.





Conveyor Belts



Seamless Belts



Modular Belts



Timing Belts



Transmission Belts



Fabrication & service

Solid advice
For all your belting needs
Local stock & service
www.ammeraalbeltech.com

Ammeraal Beltech Modular A/S
Hjulmagervej 21
DK-7100 Vejle

T +45 7572 3100
F +45 7572 3348
admin@unichains.com
www.unichains.com

This information is subject to alteration due to continuous development. Ammeraal Beltech will not be held liable for the incorrect use of the above stated information. This information replaces previous information. All activities performed and services rendered by Ammeraal Beltech are subject to general terms and conditions of sale and delivery, as applied by its operating companies.

Local Contacts

Austria

T +43 171728 133
info-de@ammeraalbeltech.com
www.ammeraalbeltech.at

Belgium

T +32 2 466 03 00
info-be@ammeraalbeltech.com
www.ammeraalbeltech.be

Canada

T +1 905 890 1311
info-ca@ammeraalbeltech.com
www.ammeraalbeltech.com

Chile

T +56 2 233 12900
info-cl@ammeraalbeltech.com
www.ammeraalbeltech.cl

China

T +86 512 8287 2709
info-cn@ammeraalbeltech.com
www.ammeraalbeltech.com.cn

Czech Republic

T +420 567 117 211
info-cz@ammeraalbeltech.com
www.ammeraalbeltech.cz

Denmark

T + 45 7572 3100
info-dk@ammeraalbeltech.com
www.unichains.com

Finland

T +358 207 911 400
info-fi@ammeraalbeltech.com
www.ammeraalbeltech.fi

France

T +33 3 20 90 36 00
info-fr@ammeraalbeltech.com
www.ammeraalbeltech.fr

Germany

T +49 4152 937-0
info-de@ammeraalbeltech.com
www.ammeraalbeltech.de

Hungary

T +36 30 311 6099
info-hu@ammeraalbeltech.com
www.ammeraalbeltech.hu

India

T +91 44 265 34 244
info-in@ammeraalbeltech.com
www.ammeraalbeltech.com

Italy

T +39 051 660 60 06
info-it@ammeraalbeltech.com
www.ammeraalbeltech.it

Luxembourg

T +352 26 48 38 56
info-lu@ammeraalbeltech.com
www.ammeraal-beltech.lu

Malaysia

T +60 3 806 188 49
info-my@ammeraalbeltech.com
www.ammeraalbeltech.com

Netherlands

T +31 72 57 51212
info-nl@ammeraalbeltech.com
www.ammeraalbeltech.nl

Poland

T +48 32 44 77 179
info-pl@ammeraalbeltech.com
www.ammeraalbeltech.com

Portugal

T +351 22 947 94 40
info-pt@ammeraalbeltech.com
www.ammeraalbeltech.pt

Singapore

T +65 62739767
info-sg@ammeraalbeltech.com
www.ammeraalbeltech.com

Slovakia

T +421 2 55648541-2
info-sk@ammeraalbeltech.com
www.ammeraalbeltech.sk

South Korea

T +82 31 448 3613-7
info-kr@ammeraalbeltech.com
www.ammeraalbeltech.co.kr

Spain

T +34 93 718 3054
info-es@ammeraalbeltech.com
www.ammeraalbeltech.es

Sweden

T +46 44 780 3010
info-se@ammeraalbeltech.com
www.ammeraalbeltech.se

Switzerland

T +41 55 2253 535
info-ch@ammeraalbeltech.com
www.ammeraalbeltech.ch

Thailand

T +66 2 902 2604-13
info-th@ammeraalbeltech.com
www.ammeraalbeltech.com

United Kingdom

T +44 1992 500550
info-uk@ammeraalbeltech.com
www.ammeraalbeltech.co.uk

United States

T +1 847 673 6720
info-us@ammeraalbeltech.com
www.ammeraalbeltech.com

Vietnam

T +84 8 376 562 05
info-vn@ammeraalbeltech.com
www.ammeraalbeltech.com.vn

Global Headquarters:

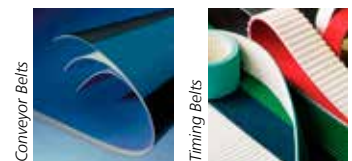
Ammeraal Beltech Holding B.V.

P.O. Box 38
1700 AA Heerhugowaard
The Netherlands

T +31 (0)72 575 1212
F +31 (0)72 571 6455

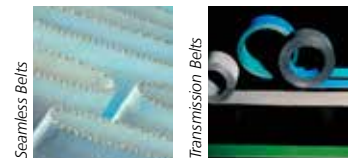
info@ammeraalbeltech.com
www.ammeraalbeltech.com

Expert advice, quality solutions
and local service
for all your belting needs



Conveyor Belts

Timing Belts



Seamless Belts

Transmission Belts



Modular Belts

Fabrication & service

... and 150 more service contact points on www.ammeraalbeltech.com